

ONLY

**RECTIFIER
HALF-WAVE, MERCURY-VAPOR**

Western Electric

DESCRIPTION

The 253A is a half-wave mercury-vapor rectifier tube for use in high voltage rectifier circuits.

MAXIMUM RATINGS

Peak Inverse Anode Voltage	3500 volts
Average Cathode Current	0.25 ampere

ELECTRON TUBE DATA SHEET
FILE: RECTIFIER TUBE SECTION

MAXIMUM RATINGS, Absolute Values

Peak Inverse Anode Voltage	3500 volts
Cathode Current	
Peak	1 ampere
Average	0.25 ampere
Surge (Maximum duration 0.1 second)	10 amperes
Averaging Time	5 seconds
Frequency	150 cycles/sec.
Condensed Mercury Temperature Limits	20 to 70 centigrade

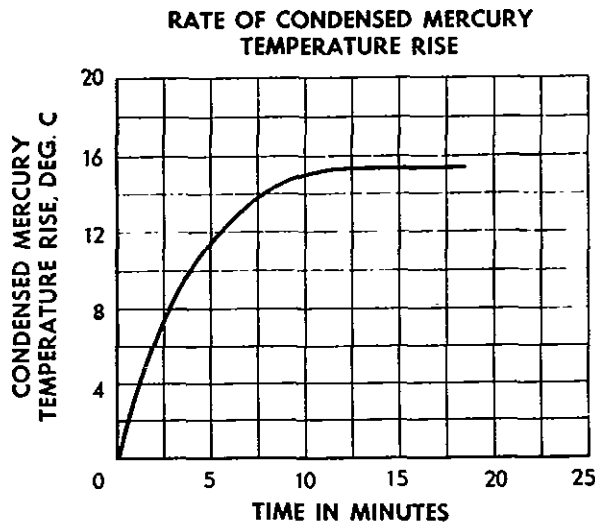
ELECTRICAL DATA

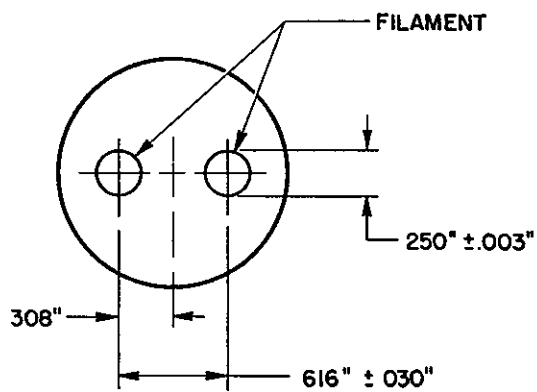
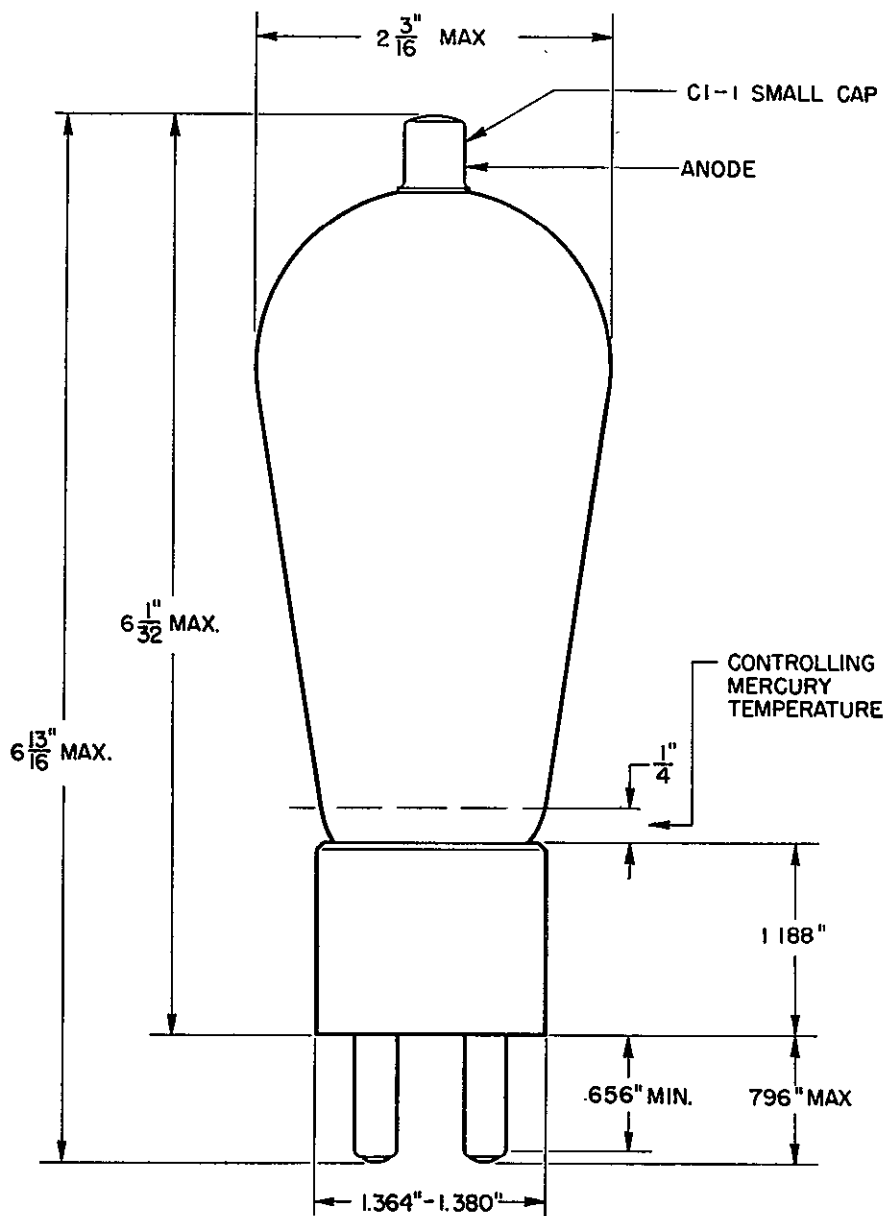
	Min.	Bogey	Max.
Filament Voltage	2.38	2.5	2.62 volts
Filament Current at 2.5 Volts		3.0	3.3 amperes
Cathode Heating Time, Required	10		seconds
Anode Voltage Drop		15	volts
Critical Anode Voltage			50 volts

MECHANICAL DATA

Net Weight, Approximate	3 ounces
Equilibrium Condensed Mercury	
Temperature Rise Over Ambient	
At Full Load (Approximate)	19 centigrade
At No Load (Approximate)	15 centigrade
Cooling	convection

Mounting This tube should be mounted in a vertical position only with the base end down. Sufficient clearance should be maintained around the tube to insure free air circulation.





Western Electric

A development of Bell Telephone Laboratories, the research laboratories of the American Telephone and Telegraph Company and the Western Electric Company.