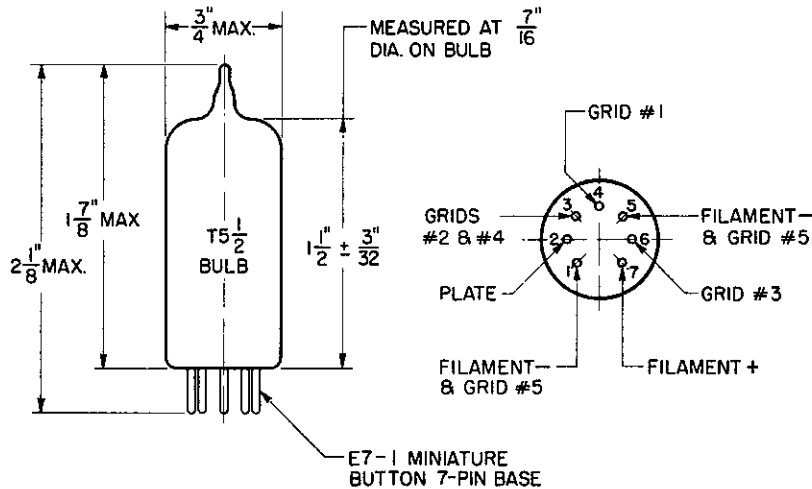


ADVANCE ELECTRON TUBE DATA SHEET

WESTERN ELECTRIC 400A ELECTRON TUBE



CLASSIFICATION

Miniature Pentagrid Converter

MOUNTING

This tube may be mounted in any position

MAXIMUM RATINGS (Design Center Values)

Plate Voltage	135 volts
Grids #2 and #4 Voltage	135 volts
Cathode Current	7 milliamperes

OPERATING CONDITIONS AND CHARACTERISTICS

Filament Voltage	1.3 volts
Filament Current	200 milliamperes
Plate Voltage	90 volts
Grids #2 and #4 Voltage	45 volts
Grid #1 Resistor	100,000 ohms
Plate Current	0.9 milliampere
Cathode Current	2.7 milliamperes
Conversion Transconductance	230 micromhos

INTERELECTRODE CAPACITANCES (No Shield)

Grid #3 to All Other Electrodes	8.0 $\mu\mu\text{f}$
Plate to All Other Electrodes	8.0 $\mu\mu\text{f}$
Grid #3 to Plate	0.25 $\mu\mu\text{f}$



Western Electric