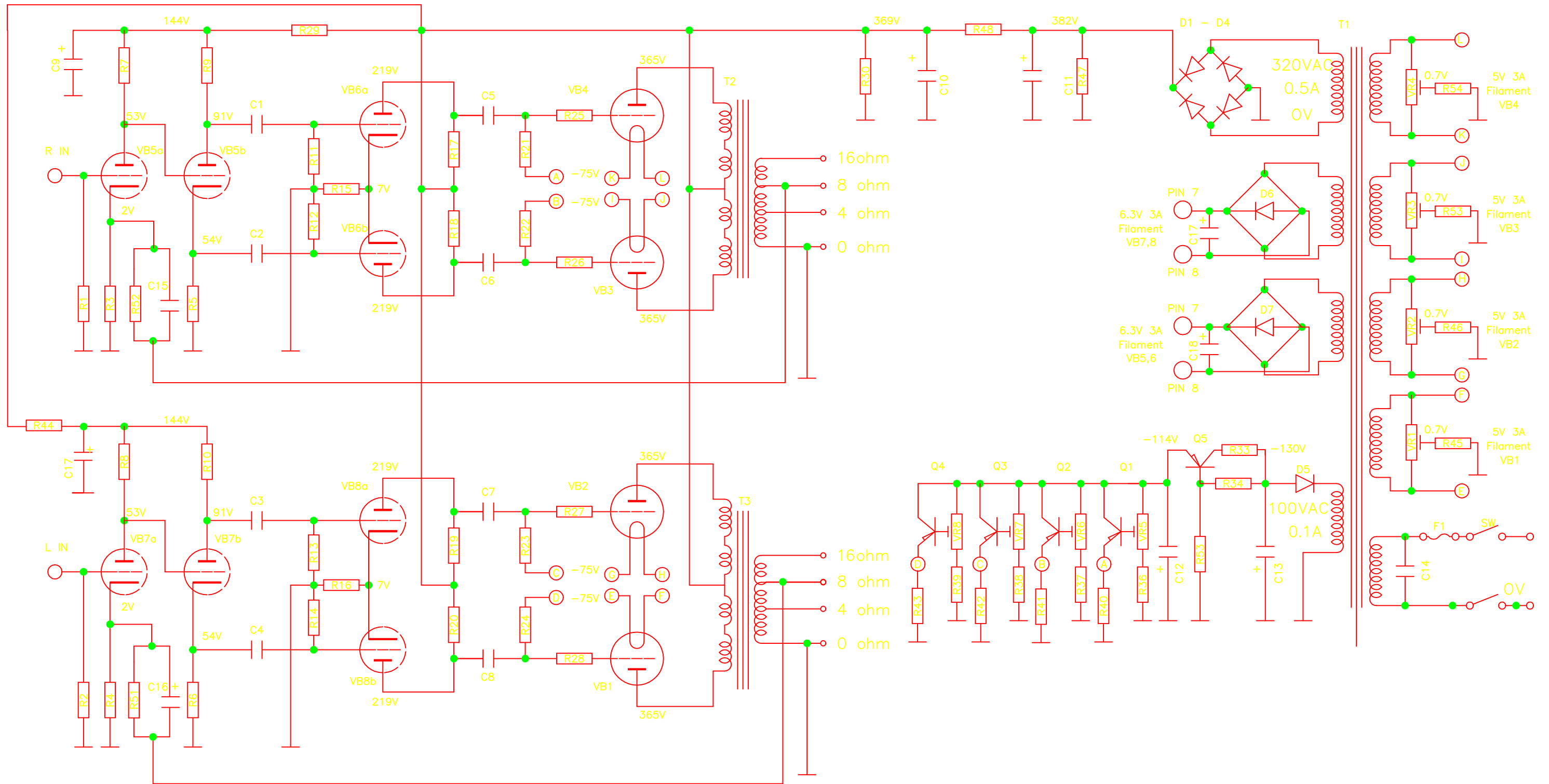


Model:AQ-1007



R1,2,7,8,40,41,42,43	100K 1/2W	R35	47K 1W	C1,2,3,4	0.1UF400V	VB1,2,3,4	300B
R3,4	2.2K 1/2W	R36,37,38,39	22K 1/2W	C5,6,7,8	0.22UF400V	VB5,6,7,8	6SN7
R5,6,9,10,21,22,23,24,33	47K 1/2W	R45,46,53,54	10 1/2W	C9,17	47UF450V		
R11,12,13,14	470K 1/2W	R48	33 20W	C10,11	220UF500V	T1	POWER
R15,16	510 1/2W	R51,52	56K 1/2W	C12,13	100UF 160V	T2,3	OUTPUT
R17,18,19,20	24K 4W			C14	0.047UF/250VAC		
R25,26,27,28	1.2K 1/2W	D5	IN4004	C15,16	47PF/50	VR1,2,3,4	100 1.5W
R29,44	100K 1W	D6,7	DC MB352	C17,18	4700UF/10V	VR5,6,7,8	20K
R30,47	220K 2W	D1,2,3,4	IN4007				
R34	1K 1W						