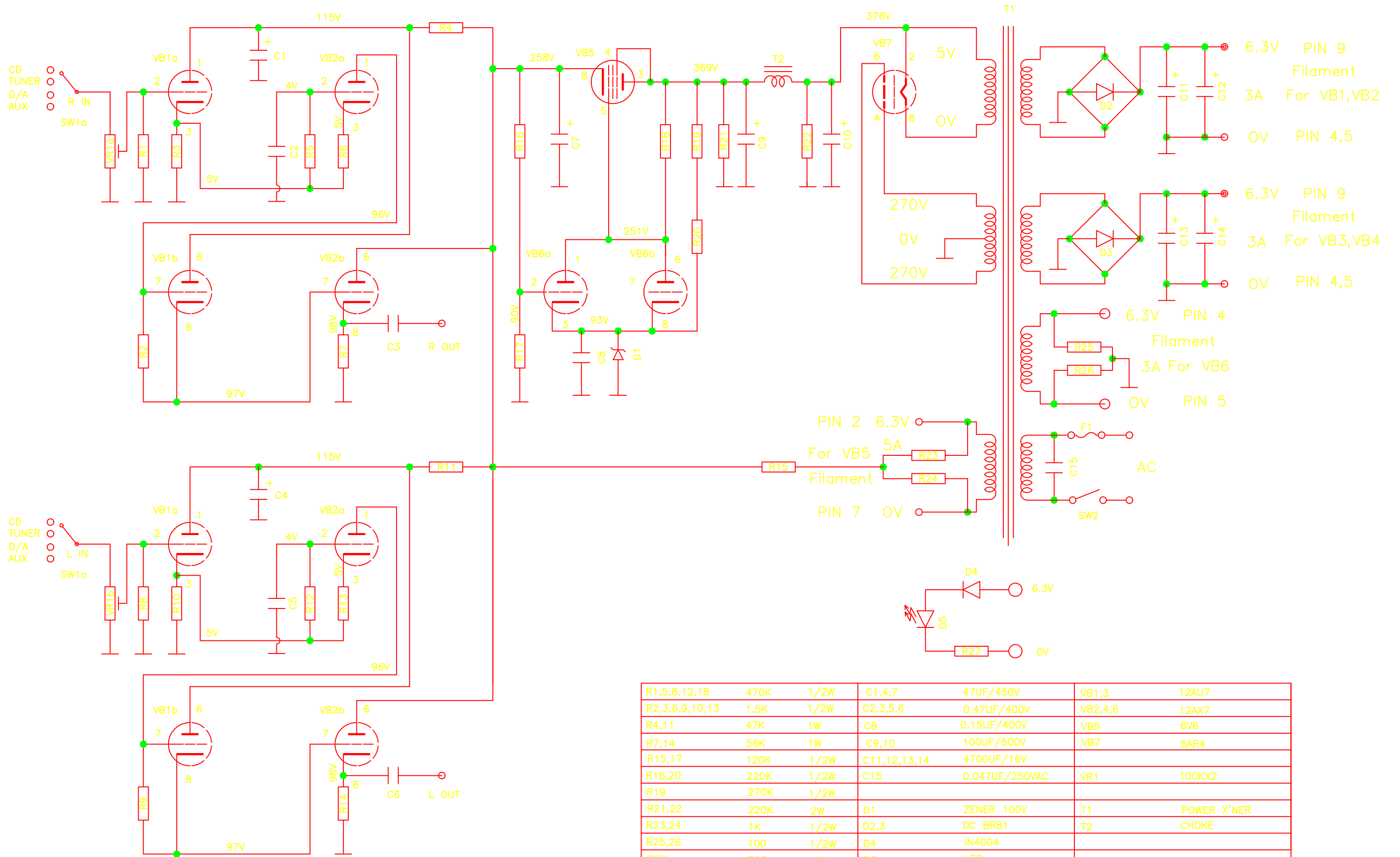


# Model:AQ-2001



R1,5,8,12,18	470K	1/2W	C1,4,7	47UF/450V	VB1,3	12AU7
R2,3,6,9,10,13	1.5K	1/2W	C2,3,5,6	0.47UF/400V	VB2,4,6	12AX7
R4,11	47K	1W	C8	0.15UF/400V	VB5	6V6
R7,14	56K	1W	C9,10	100UF/500V	VB7	5AR4
R15,17	120K	1/2W	C11,12,13,14	4700UF/16V		
R16,20	220K	1/2W	C15	0.047UF/250VAC	VR1	100KX2
R19	270K	1/2W				
R21,22	220K	2W	D1	ZENER 100V	T1	POWER X'NER
R23,24	1K	1/2W	D2,3	DC BR81	T2	CHOKE
R25,26	100	1/2W	D4	IN4004		
R27	220	1/2W	D5	LED		