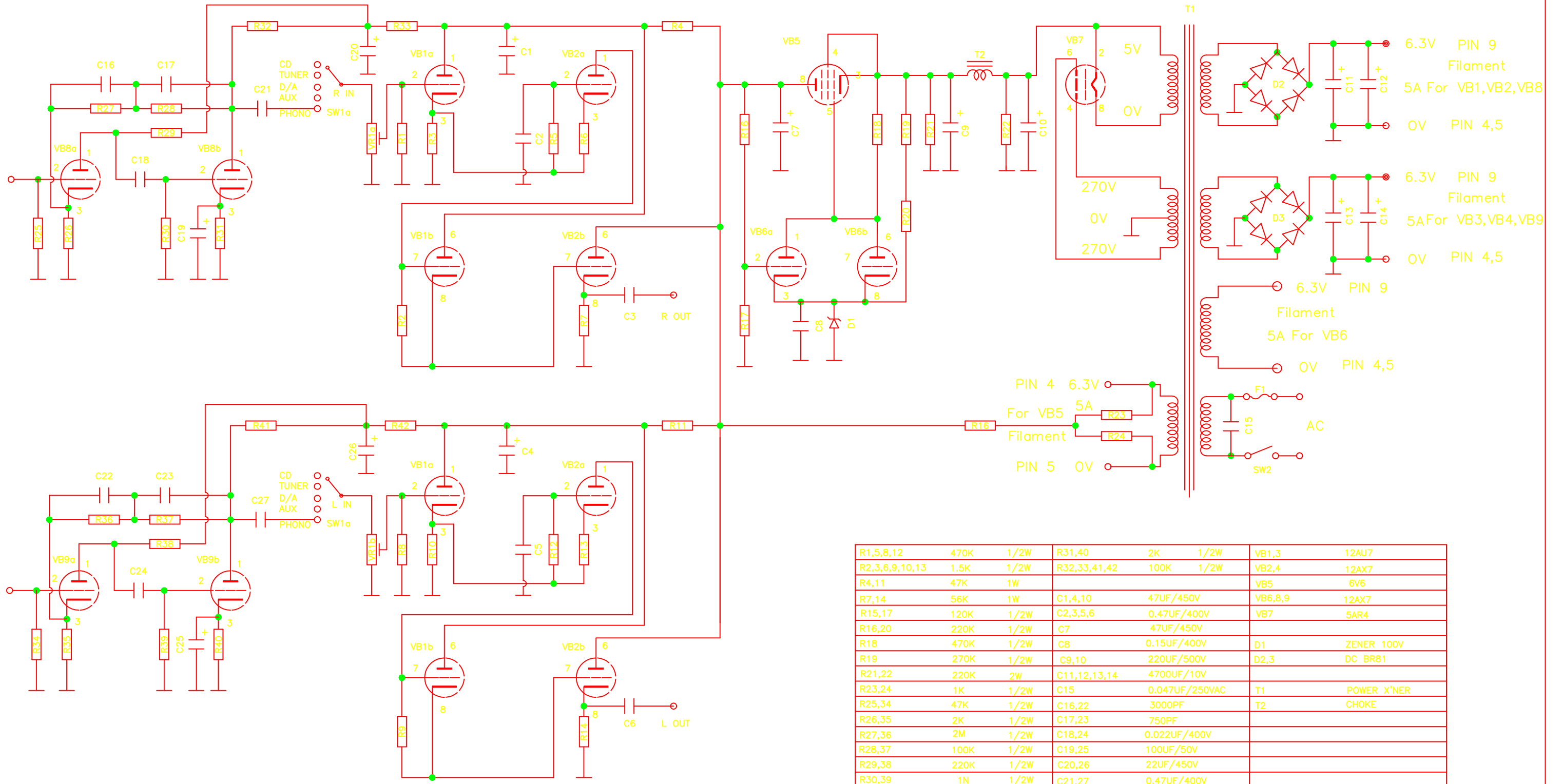


Model: AQ-2002



R1,5,8,12	470K	1/2W	R31,40	2K	1/2W	VB1,3	12AU7
R2,3,6,9,10,13	1.5K	1/2W	R32,33,41,42	100K	1/2W	VB2,4	12AX7
R4,11	47K	1W				VB5	6V6
R7,14	56K	1W	C1,4,10	47UF/450V		VB6,8,9	12AX7
R15,17	120K	1/2W	C2,3,5,6	0.47UF/400V		VB7	5AR4
R16,20	220K	1/2W	C7	47UF/450V			
R18	470K	1/2W	C8	0.15UF/400V		D1	ZENER 100V
R19	270K	1/2W	C9,10	220UF/500V		D2,3	DC BR81
R21,22	220K	2W	C11,12,13,14	4700UF/10V			
R23,24	1K	1/2W	C15	0.047UF/250VAC		T1	POWER X'NER
R25,34	47K	1/2W	C16,22	3000PF		T2	CHOKE
R26,35	2K	1/2W	C17,23	750PF			
R27,36	2M	1/2W	C18,24	0.022UF/400V			
R28,37	100K	1/2W	C19,25	100UF/50V			
R29,38	220K	1/2W	C20,26	22UF/450V			
R30,39	1N	1/2W	C21,27	0.47UF/400V			