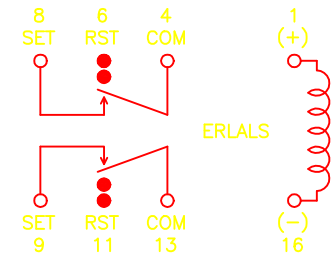
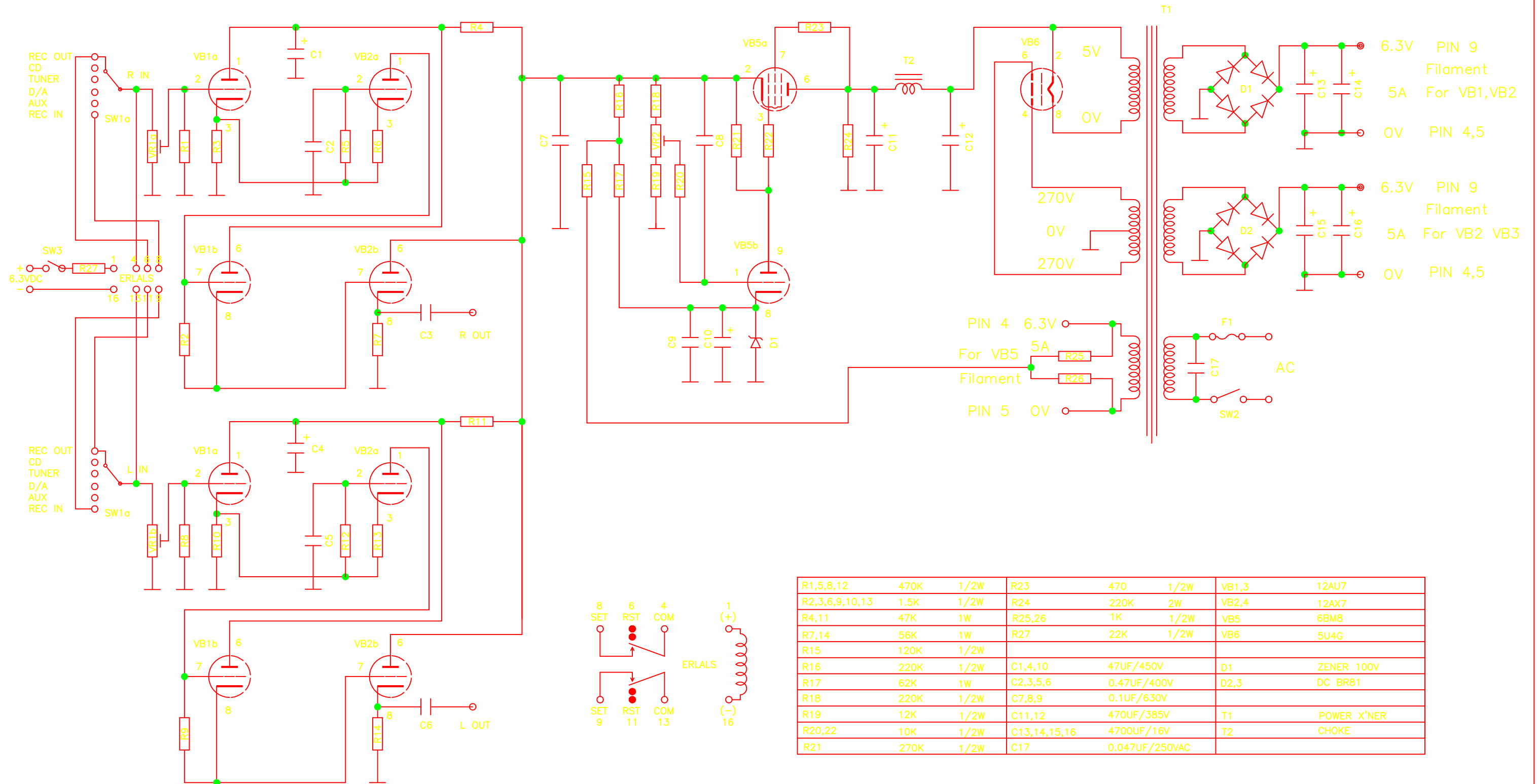


Model:AQ2005



R1,5,8,12	470K	1/2W	R23	470	1/2W	VB1,3	12AU7
R2,3,6,9,10,13	1.5K	1/2W	R24	220K	2W	VB2,4	12AX7
R4,11	47K	1W	R25,26	1K	1/2W	VB5	6BM8
R7,14	56K	1W	R27	22K	1/2W	VB6	5U4G
R15	120K	1/2W					
R16	220K	1/2W	C1,4,10	47UF/450V		D1	ZENER 100V
R17	62K	1W	C2,3,5,6	0.47UF/400V		D2,3	DC BR81
R18	220K	1/2W	C7,8,9	0.1UF/630V			
R19	12K	1/2W	C11,12	470UF/385V		T1	POWER X'NER
R20,22	10K	1/2W	C13,14,15,16	4700UF/16V		T2	CHOKE
R21	270K	1/2W	C17	0.047UF/250VAC			