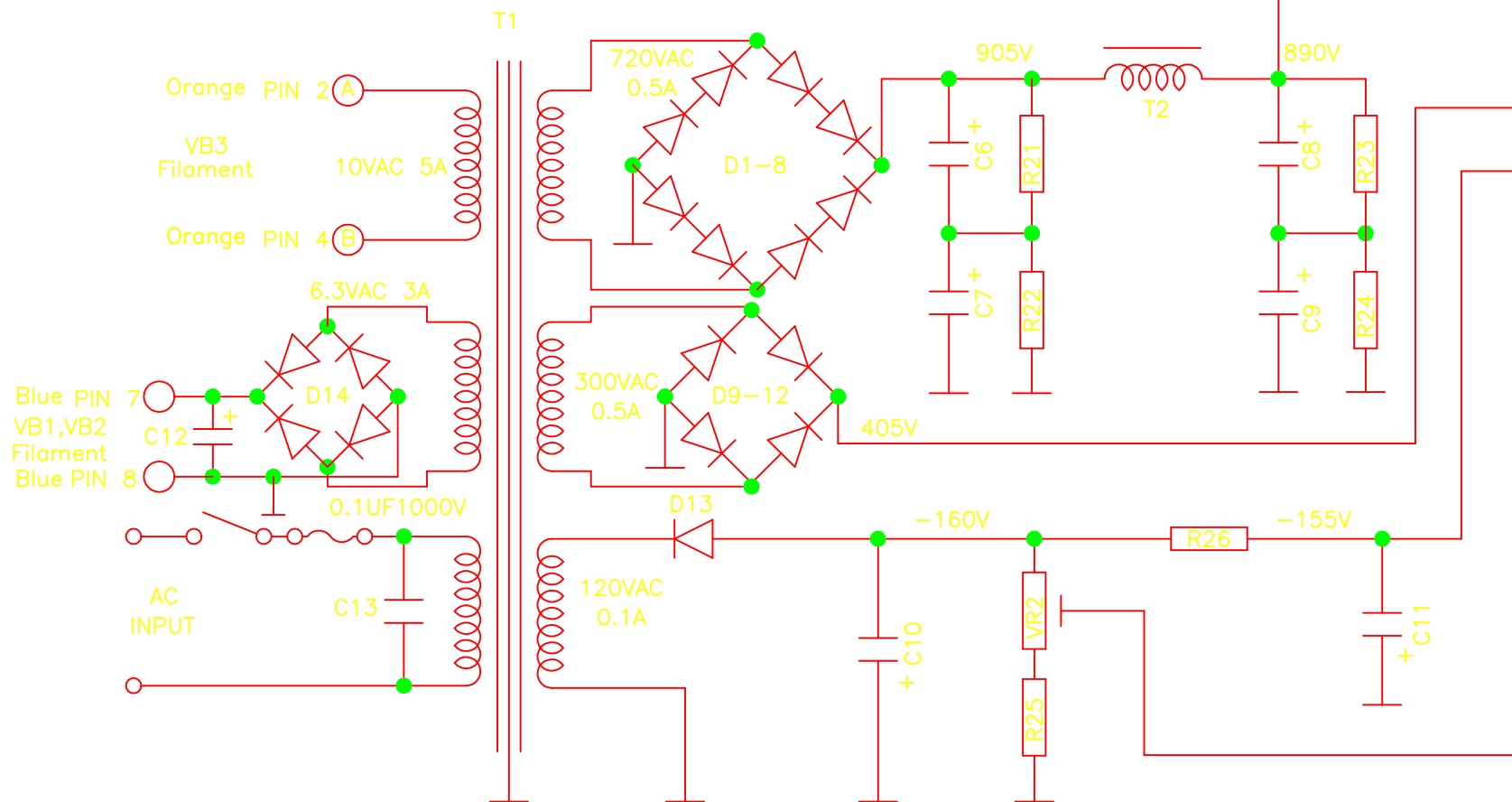
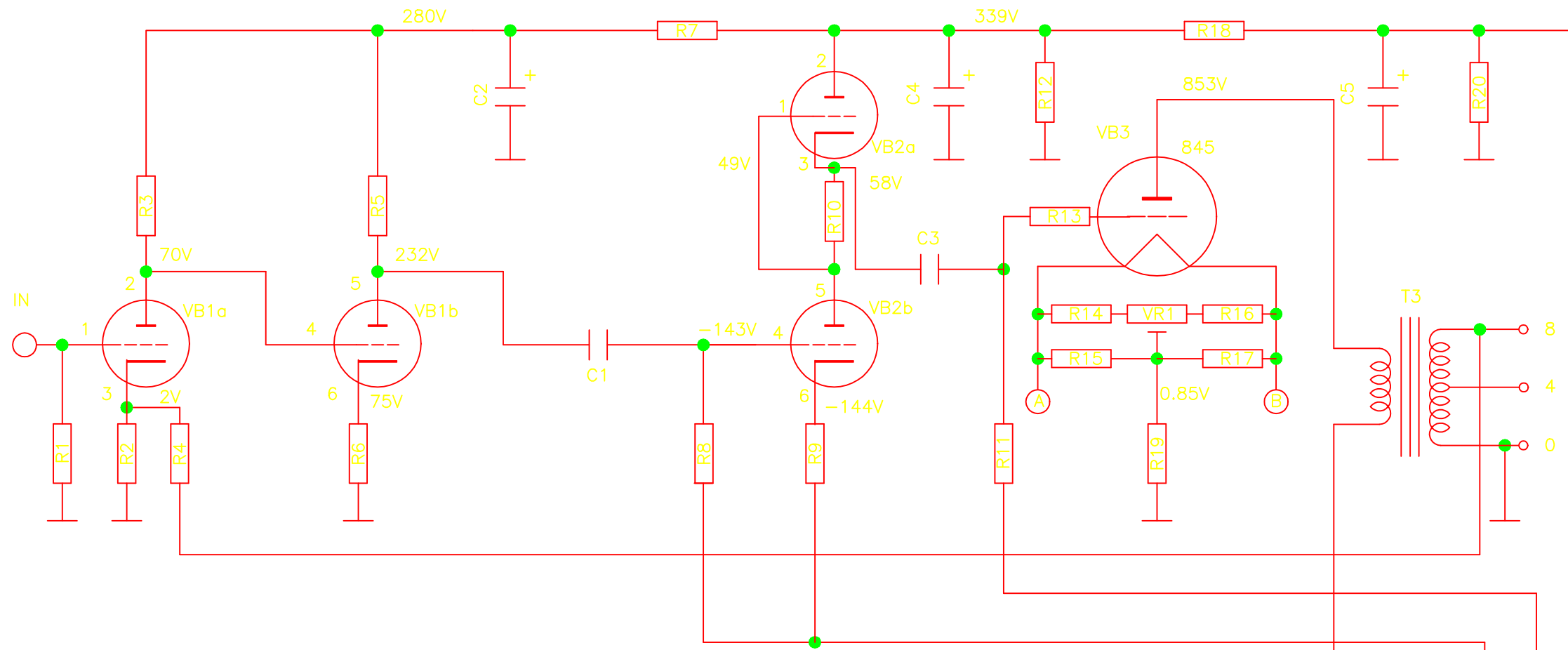


# Model:SPM845



|                    |           |          |             |
|--------------------|-----------|----------|-------------|
| R1,11              | 100K 1/2W | C1       | 0.22UF400V  |
| R2,13              | 1K 1/2W   | C2       | 22UF450V    |
| R3                 | 120K 1W   | C3       | 0.47UF400V  |
| R4                 | 47K 1/2W  | C4,5     | 47UF450V    |
| R5                 | 15K 2W    | C6,7,8,9 | 220UF450V   |
| R6                 | 15K 1W    | C10,11   | 100UF160V   |
| R7                 | 4.7K 2W   | C12      | 4700UF10V   |
| R8                 | 470K 1/2W | C13      | 0.047UF250V |
| R9,10              | 2.2K 1/W  |          |             |
| R12,20,21,22,23,24 | 220K 2W   | D1-8     | IN5407      |
| R14,15,16,17       | 100 2W    | D9-12    | IN4007      |
| R18                | 5K 10W    | D13      | IN4004      |
| R19                | 10 1W     | D14      | DC BR81     |
| R25                | 4.7K 1W   |          |             |
| R26                | 1K 1W     | VB1,2    | 6SN7        |
| VR1                | 100 1W    | VB3      | 845         |
| VR2                | 50        |          |             |