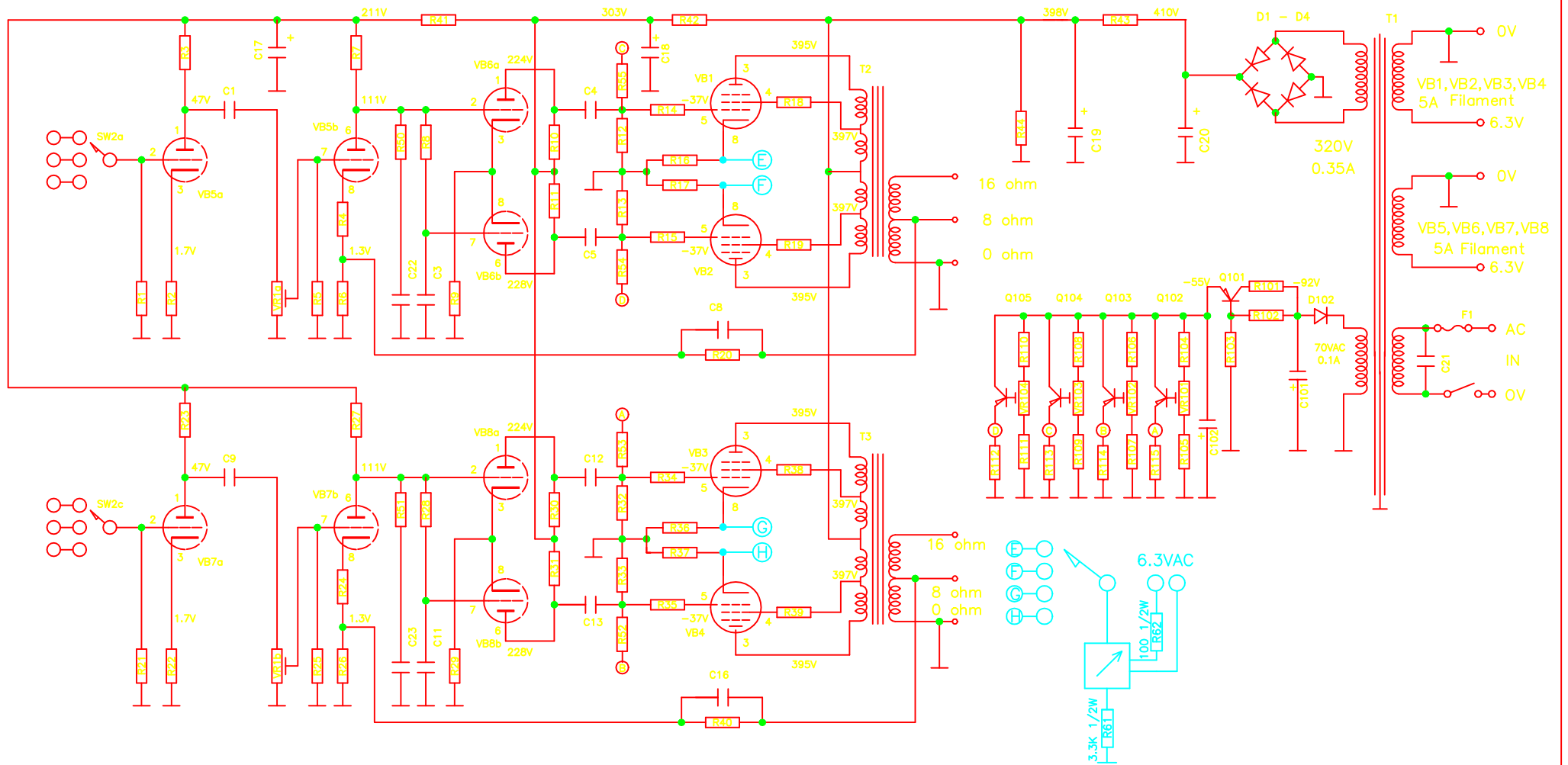


Model:AQ-1003



R1,21	100K 1/2W
R2,22	1K 1W
R3,23	100K 1W
R4,14,15,24,34,35	1K 1/2W
R5,12,13,25,32,33	470K 1/2W
R6,26	150 1/2W
R7,10,11,27,30,31	33K 1W
R8,28	1M 1/2W
R9,29	24K 1W
R52-55	100K 1/2W
R104,106,108,110	20K 1/2W
R111,109,107,105	68K 1/2W

R16,17,36,37	10 1/2W
R18,19,38,39	100 1/2W
R20,40	5.6K 1/2W
R41	10K 5W
R42	5K 10W
R43	33 20W
R44	220K 1W
R50,51,102	10K 1/2W
R101	1K 1/2W
R103	33K 1/2W
R112-115	100K 1/2W

C1,4,5,9,12,13	0.22uF400V
C3,11	0.47uF400V
C8,16,22,23	100PF50V
C17,18	47uF450V
C19,20	100uF450V
C21	0.1uF630V
C101,102	100uF160V
T1	POWER X'MER
T2,3	OUTPUT

VB1,2,5,6	12AU7
VB3,4,7,8	EL34
VR1	100K
SW2	3P4T
D1-4	FR107
D102	FR107/FR104
Q101-105	2N5401
VR101-104	20K