

VT130 AMPLIFIER

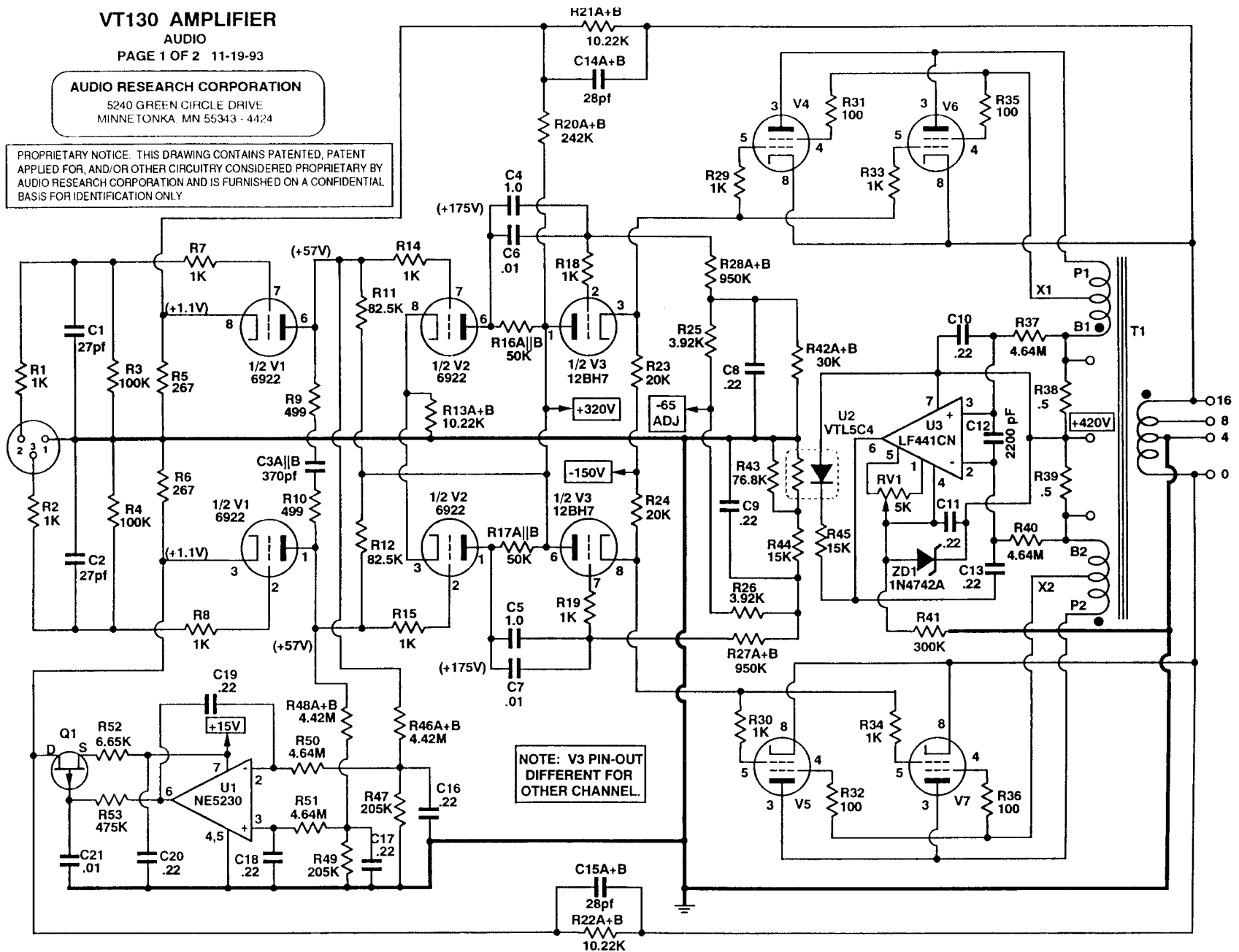
AUDIO

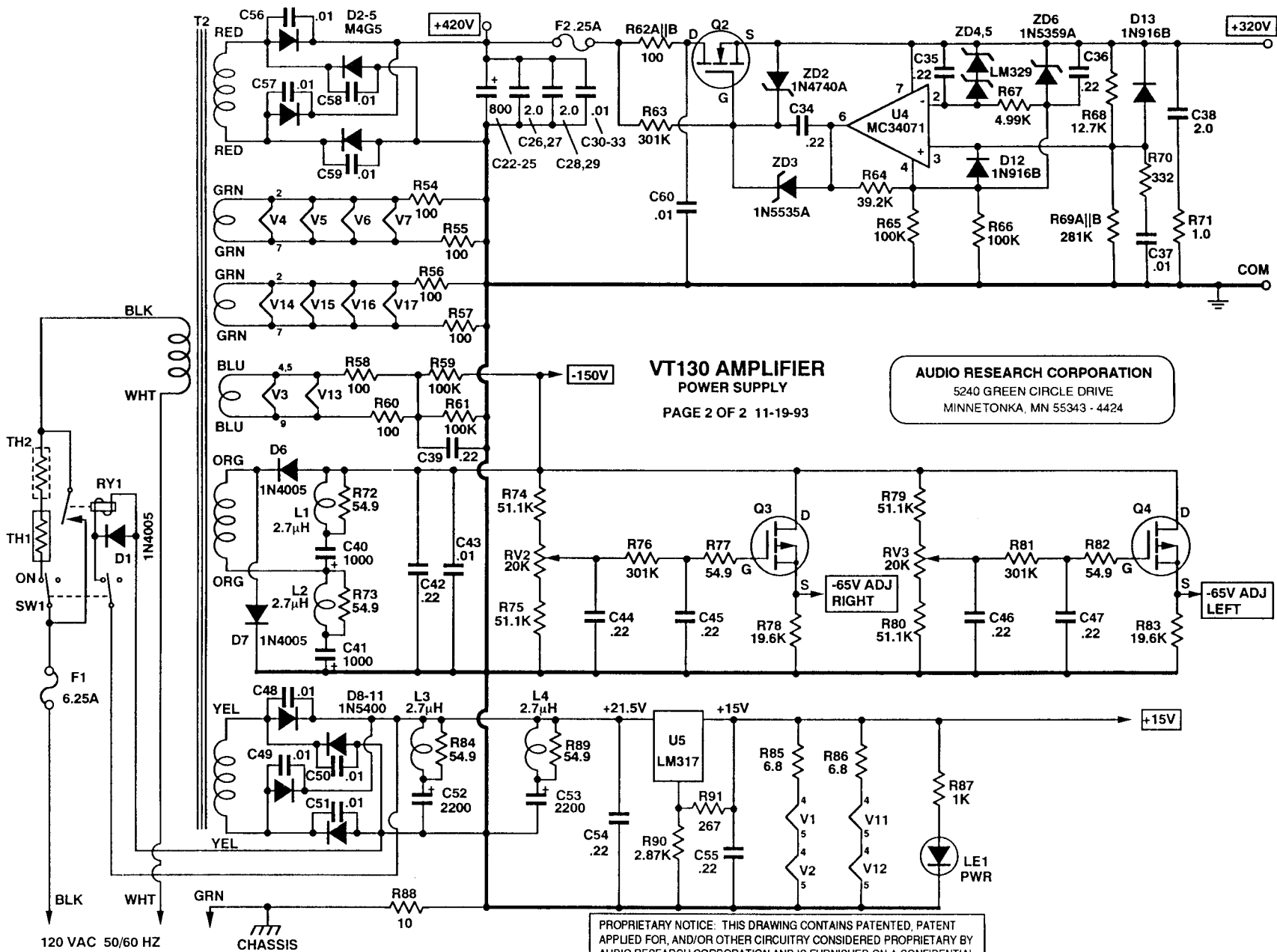
PAGE 1 OF 2 11-19-93

AUDIO RESEARCH CORPORATION

5240 GREEN CIRCLE DRIVE
MINNETONKA, MN 55343 - 4424

PROPRIETARY NOTICE: THIS DRAWING CONTAINS PATENTED, PATENT APPLIED FOR, AND/OR OTHER CIRCUITRY CONSIDERED PROPRIETARY BY AUDIO RESEARCH CORPORATION AND IS FURNISHED ON A CONFIDENTIAL BASIS FOR IDENTIFICATION ONLY.





**VT130 AMPLIFIER
POWER SUPPLY**

PAGE 2 OF 2 11-19-93

AUDIO RESEARCH CORPORATION
5240 GREEN CIRCLE DRIVE
MINNETONKA, MN 55343 - 4424

PROPRIETARY NOTICE: THIS DRAWING CONTAINS PATENTED, PATENT APPLIED FOR, AND/OR OTHER CIRCUITRY CONSIDERED PROPRIETARY BY AUDIO RESEARCH CORPORATION AND IS FURNISHED ON A CONFIDENTIAL BASIS FOR IDENTIFICATION ONLY