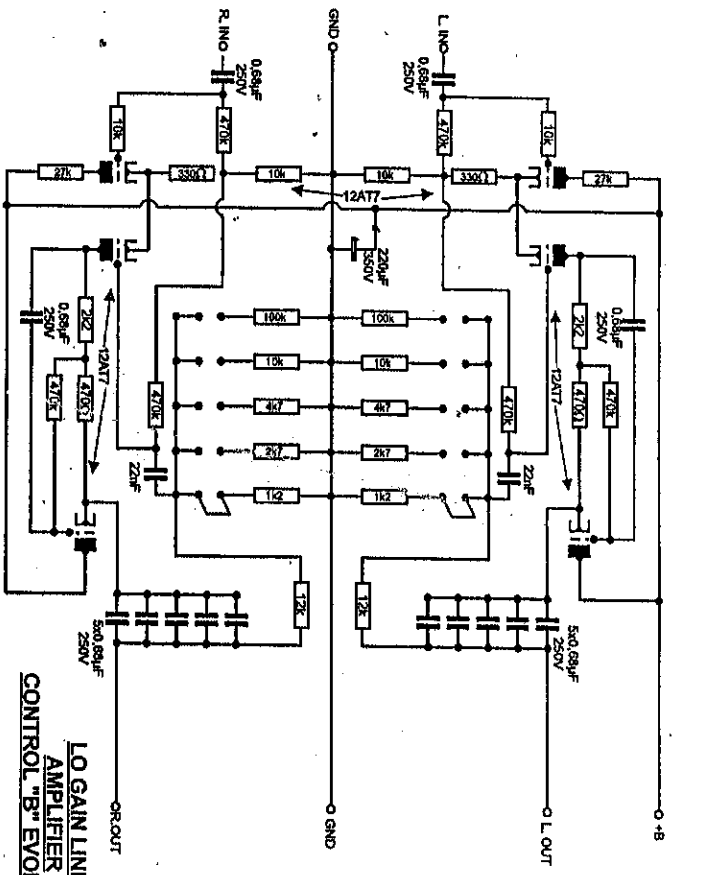
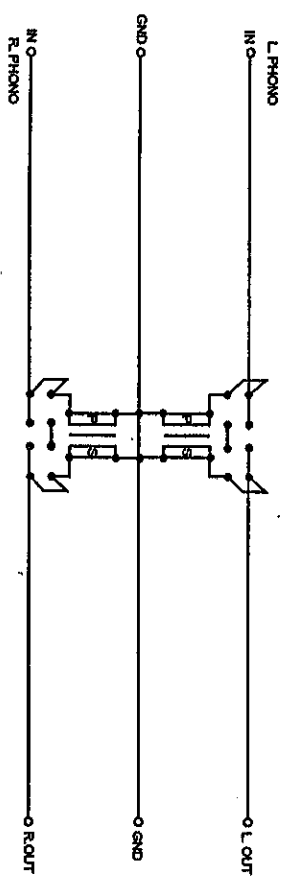


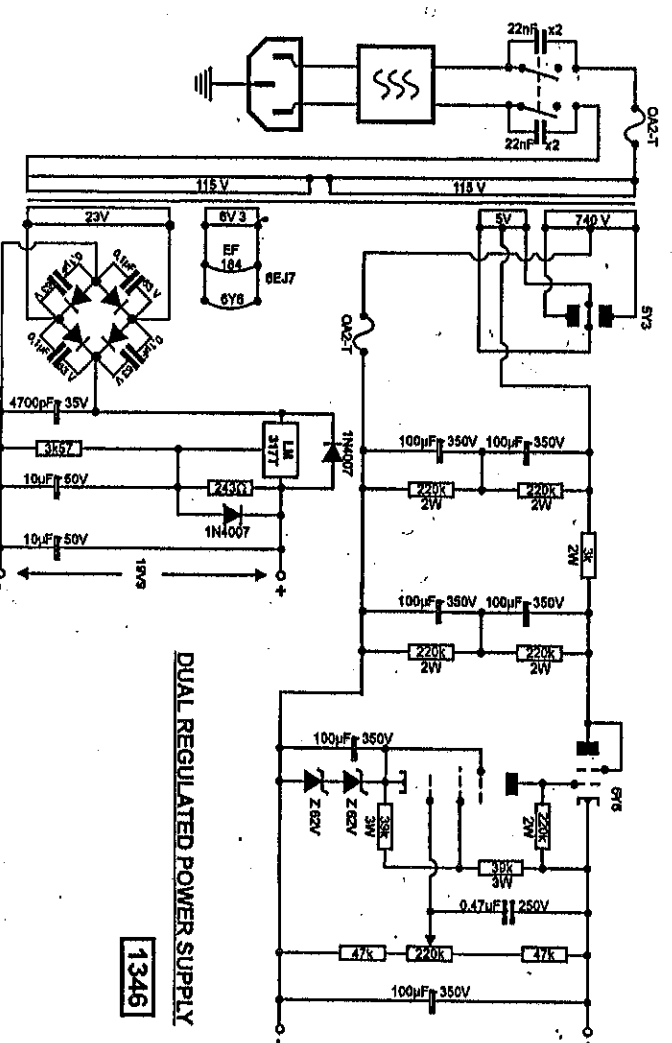
(A) 1532



1165

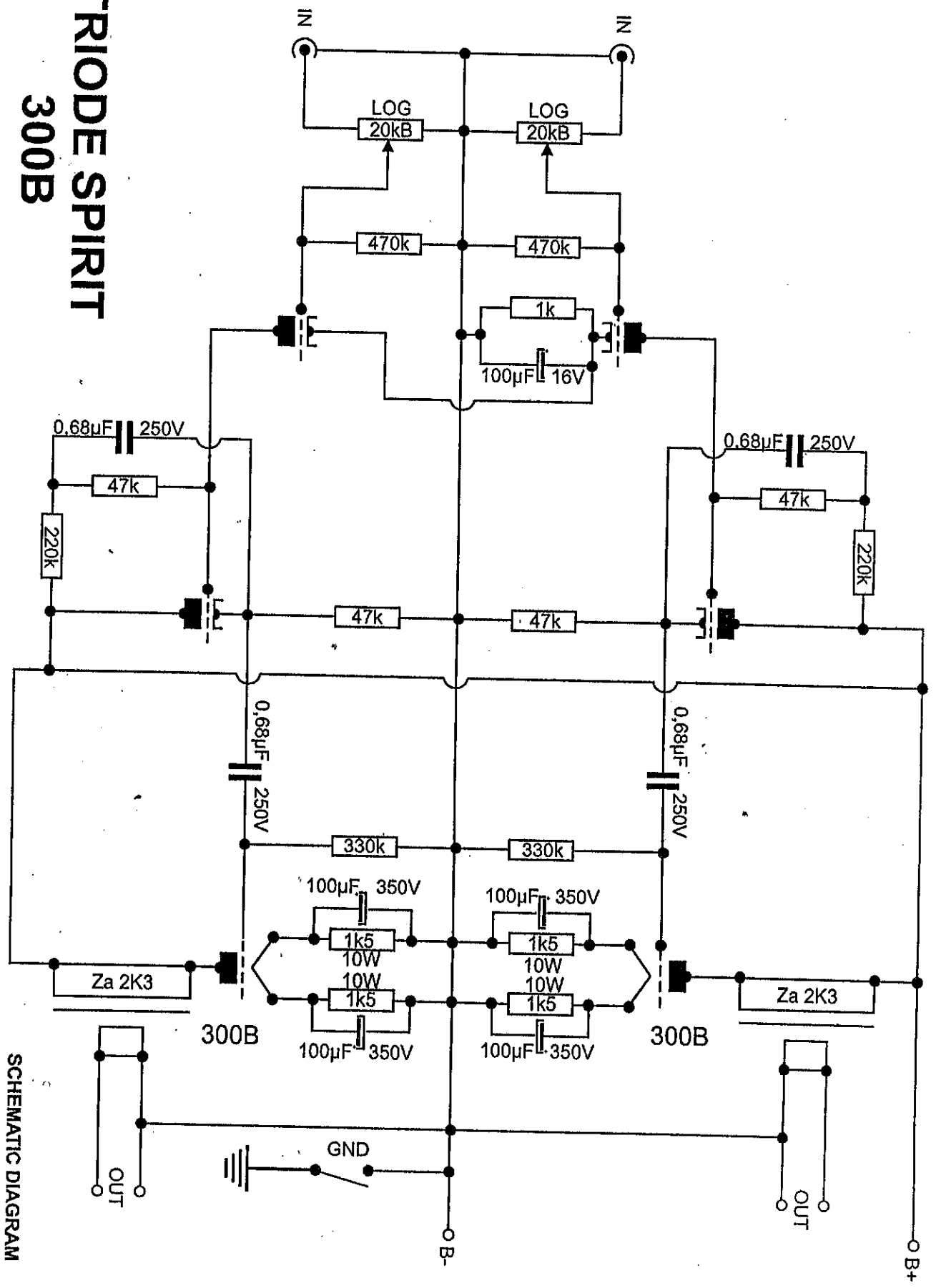


(A) 1545



1346

# TRIODE SPIRIT 300B



SCHEMATIC DIAGRAM

1645

# TRIODE SPIRIT 300B

