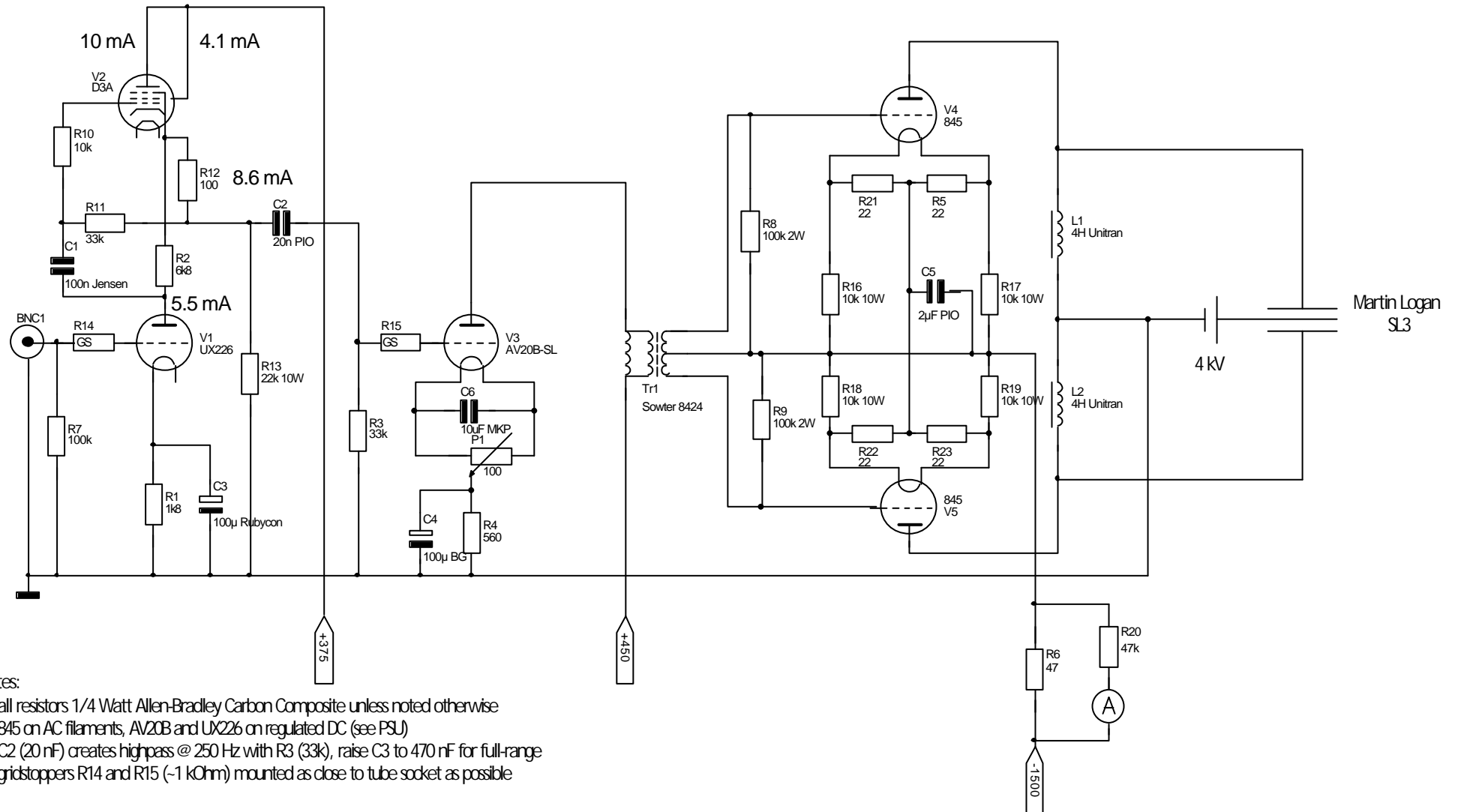


# Phylira 2.5

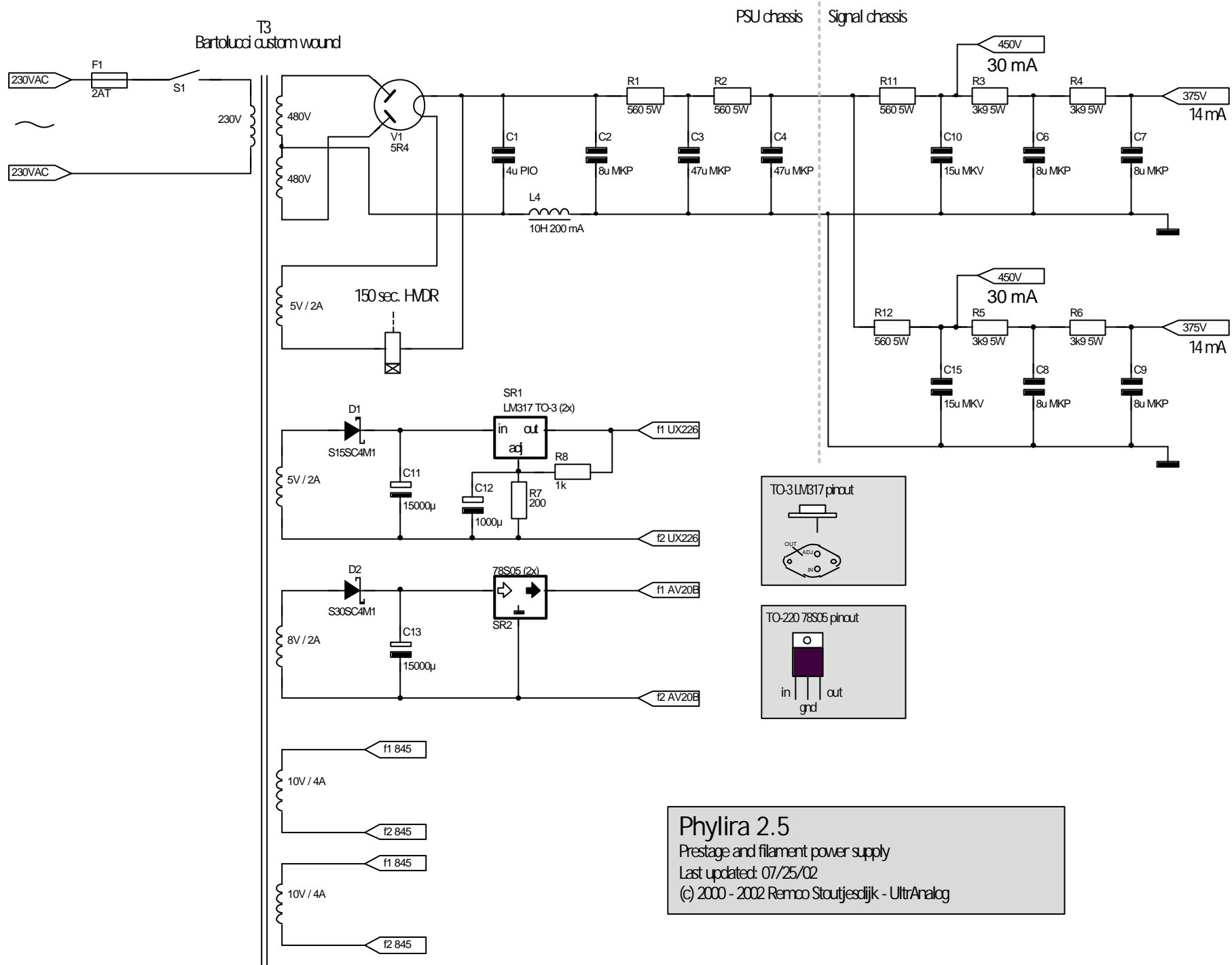
## OTL amplifier for direct ESL drive

signal section - last update 07/25/02  
 (c) 2000 - 2002 Remco Stoutjesdijk - UltraAnalog

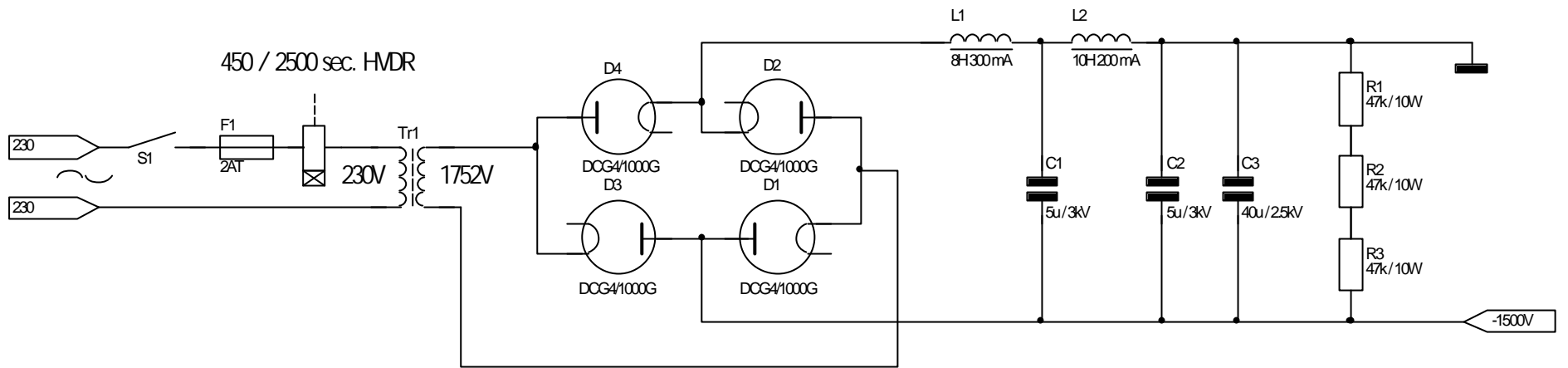


### Notes:

- all resistors 1/4 Watt Allen-Bradley Carbon Composite unless noted otherwise
- 845 on AC filaments, AV20B and UX226 on regulated DC (see PSU)
- C2 (20 nF) creates highpass @ 250 Hz with R3 (33k), raise C3 to 470 nF for full-range
- gridstoppers R14 and R15 (~1 kOhm) mounted as close to tube socket as possible



**Phylira 2.5**  
 Prestage and filament power supply  
 Last updated: 07/25/02  
 (c) 2000 - 2002 Remco Stoutjesdijk - UltrAnalog



**Phylira 2.5**  
 Power stage power supply  
 Last updated: 07/26/02  
 (c) 2000 - 2002 Remco Stoutjesdijk - UltrAnalog

