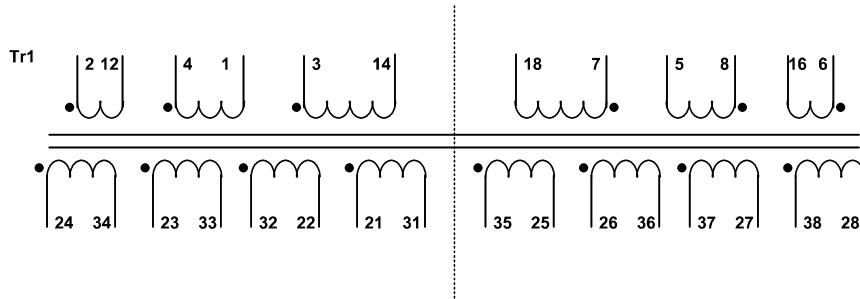
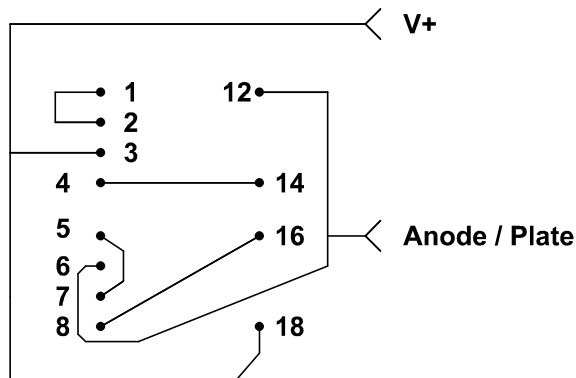


## 2x 6C33 Parallel Single Ended

For this application, the LL1693-230mA type is used, but here the primary windings are in parallel. This doubles the DC capability to 460mA, and primary impedance is lowered to 300 Ohms, which gives the right configuration for 2x 6C33 in parallel.



General Lay out of the LL1693 transformer



Primary connections for this application  
Secondary impedance can be set for 4, 8 or 16 Ohm s

Recommended working point 460mA DC.  
Impedance Primary = 300 Ohms

To set the output Impedance, use these connection Schemes from the Lundahl Datasheet:  
The datasheet can be found at: [www.jacmusic.com](http://www.jacmusic.com)

Scheme B = 4 Ohms  
Scheme C = 8 Ohms  
Scheme D = 16 Ohms

Revision of 06-Nov-2021

There was a wiring error on the transformer primary, in the original version of 02-Sept-2007. This was corrected

### Copyright Notification

We have copy right on this schematic.  
Emissionlabs is a registered brand name.

Internet publication, or other forms of copying or use, is only allowed with our written permission.

Document Title:

Date created: 02-Sept-2007

Last Revision:

Date: 06-Nov-2021

Pages: 1 of 1

Created by:

Dipl. Ing. Jac van de Walle  
[www.jacmusic.com](http://www.jacmusic.com)

