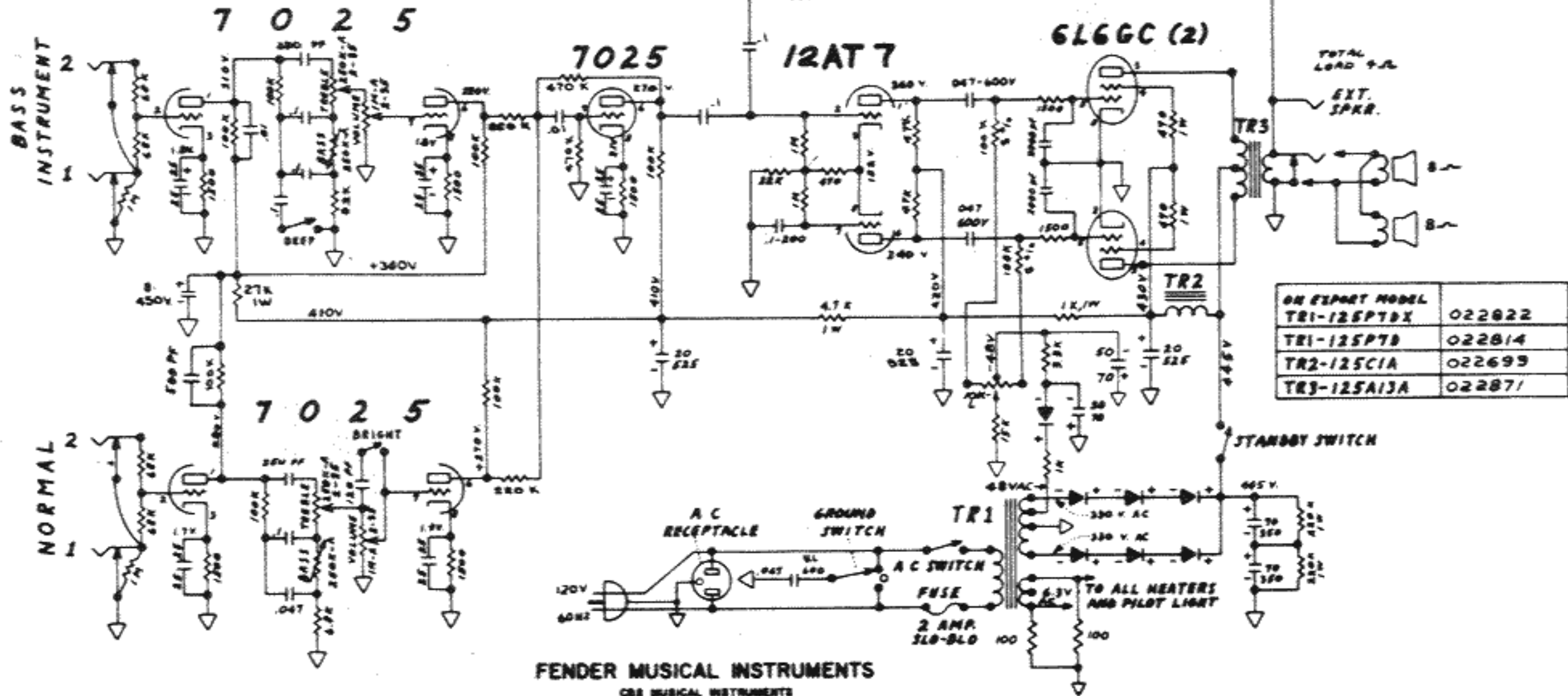


# FENDER MODEL "BASSMAN-AMP AA270" 1/2

# NOTICE

THIS PRODUCT MANUFACTURED UNDER ONE OR MORE OF THE FOLLOWING U.S. PATENTS: 2817700, 2913691, 192859 AND PATENTS PENDING.

- 1- VOLTAGES READ TO GROUND WITH ELECTRONIC VOLTMETER. VALUES SHOWN + OR - 20 %
- 2- ALL RESISTORS 1/2 WATT, 10% TOLERANCE IF NOT SPECIFIED.
- 3- ALL CAPACITORS AT LEAST 400 VOLT RATING IF NOT SPECIFIED.
- 4- WHEN INSTALLING NEW GLB'S RESET HUM BALANCE FOR MIN HUM.



OR EQUIV. MODEL	
TR1-125PTDX	022822
TR1-125P7B	022814
TR2-125C1A	022699
TR3-125A13A	022871

FENDER MUSICAL INSTRUMENTS  
 CBS MUSICAL INSTRUMENTS  
 A DIVISION OF COLUMBIA BROADCASTING SYSTEMS INC.  
 FULLERTON, CALIFORNIA  
 U.S.A.