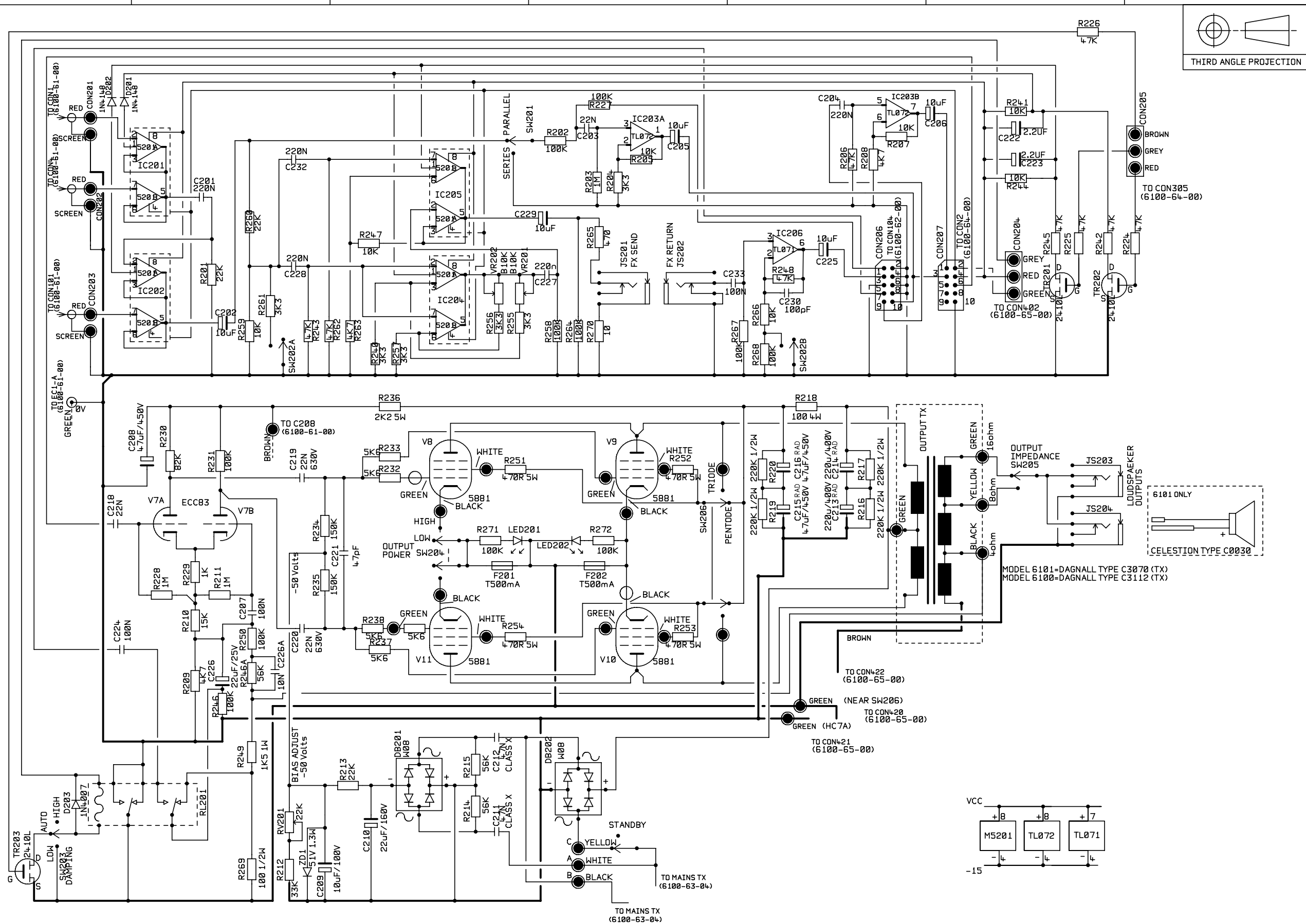


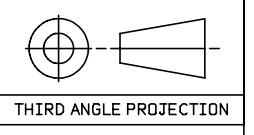
DWG.No. 6100-63-04



NOTE i- ADJUST BIAS TO -50Volts
(NO SIGNAL CONDITION)

FOR USA ONLY
SET BIAS TO -4.2 VOLTS
MAINS SUPPLY=117V/60Hz
(NO SIGNAL CONDITION)

ZD1 NOT FITTED
R212 = 15K



10	0863	14/03/95	A	H
9	0715	10/11/94	B	J
8	0674	11/07/94	C	K
7	0436	26/10/93	D	L
6	0441	19/10/93	E	M
5	0435	15/10/93	F	N
ISS	ECO NUMBER	DATE	G	P

UNSPECIFIED HOLE DATA	
MATERIAL	
MATERIAL THICKNESS	
INTERNAL BEND RADIUS	
EXTERNAL B/A	
BEND DIE	
DRAWN	T,F
CHECKED	DATE
APPROVED	DATE

DIMENSIONS IN	
TOLERANCE (UNLESS OTHERWISE STATED)	
DIMENSIONAL	
CENTRES	
ANGULAR	
MODEL	
6100/6101	

Marshall

COPYRIGHT EXISTS ON THIS DOCUMENT. IT MUST NOT BE USED FOR ANY PURPOSE OTHER THAN THAT FOR WHICH IT IS SUPPLIED AND MUST NOT BE COPIED (IN WHOLE OR IN PART) WITHOUT WRITTEN PERMISSION FROM

© MARSHALL AMPLIFICATION PLC.
DENBIGH ROAD, BLETCHLEY, MILTON KEYNES, MK1 1DQ.
TEL (0500)3754-11 FAX (0500)376118

TITLE	
POWER AMP CCT	
DWG.No	ISSUE
6100-63-04	10