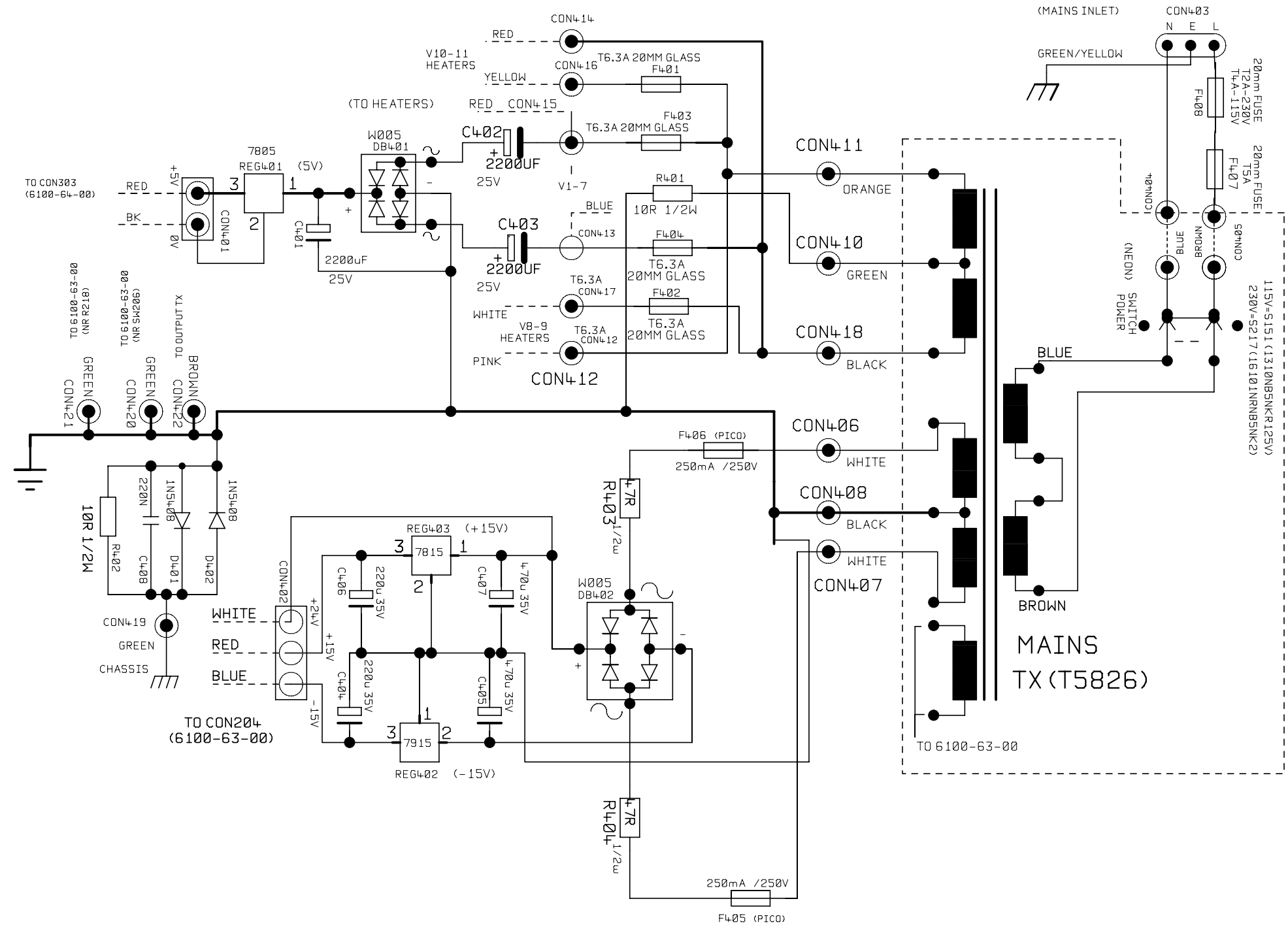


DWG.No. 6100-65-04



NOTE:-
FOR JAPAN UNITS USE (T6057)
FOR MEXICO UNITS USE (T6012)

ISS	ECO NUMBER	DATE	ALL OTHER HOLES =				X = (THROUGH PLATED)				MATERIAL	DIMENSIONS IN	
6	1716	11/11/98	A		E		J		N		MATERIAL THICKNESS	TOLERANCE (UNLESS OTHERWISE STATED)	
5	0673	11/07/94	B		F		K		P		DRAWN T.F	DATE	15/05/92
4	0249	15/07/92	C		G		L		Q		CHECKED	DATE	
			D		H		M		R		APPROVED	DATE	



TITLE		ISS
PSU CCT		
DWG.No	6100-65-04	6

6100/6101