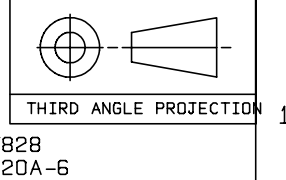
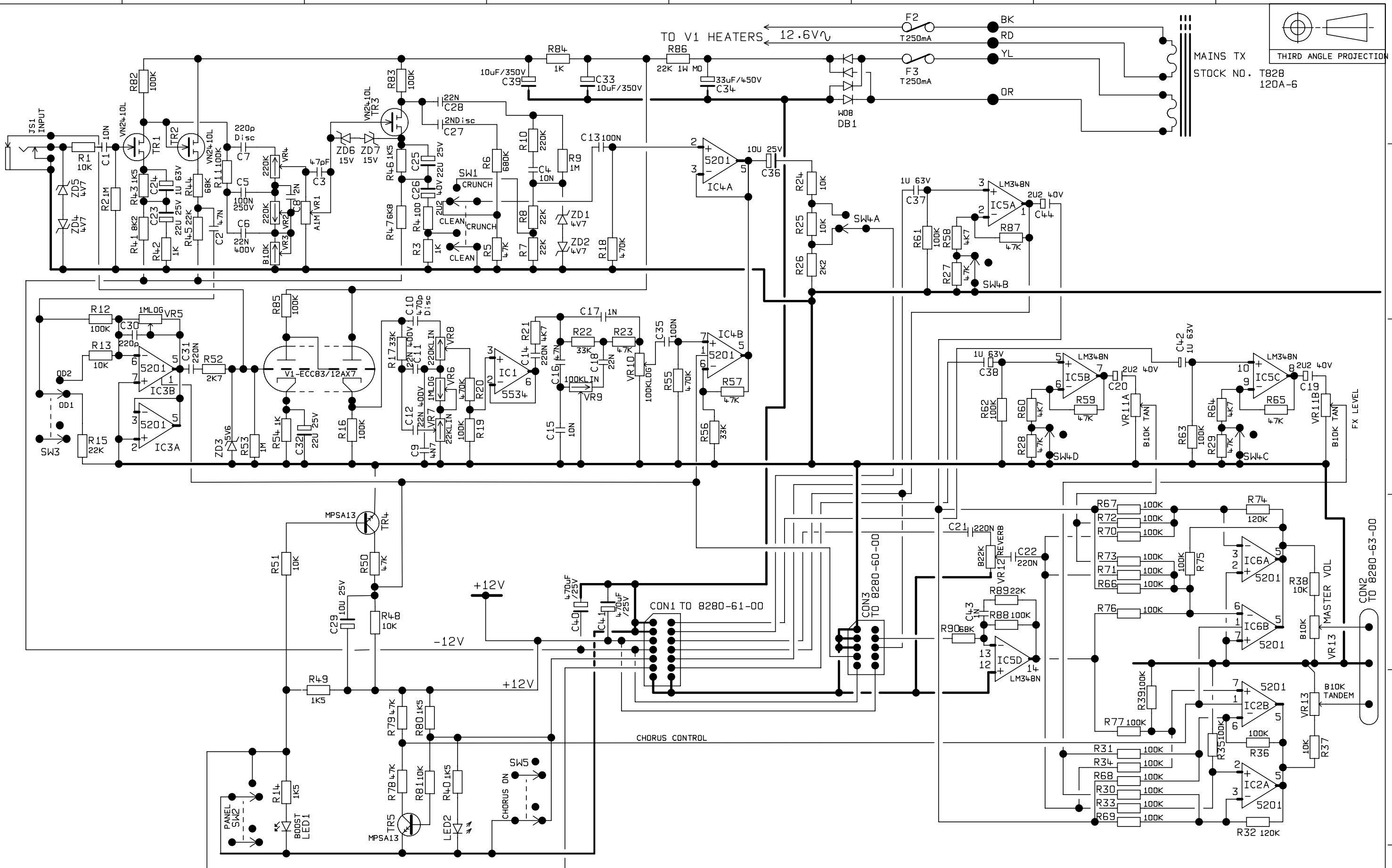


DWG.No .8280-62-02



8	1128	2/4/96	
7	0597	17-3-94	A
6	0509	7/1/94	B
5	0429.0482	10/12/93	C
4	0373	21/06/93	D
3	0365	01/06/93	E
2	0347	11/5/93	F
ISS	ECO NUMBER	DATE	G

UNSPECIFIED HOLE DATA	
	H
	J
	K
	L
	M
	N
	P

MATERIAL	
MATERIAL THICKNESS	
INTERNAL BEND RADII	
EXTERNAL B/A	
BEND DIE	
DRAWN SG	DATE 19/02/93
CHECKED	DATE
APPROVED	DATE

DIMENSIONS IN	
TOLERANCE (UNLESS OTHERWISE STATED)	
DIMENSIONAL	
CENTRES	
ANGULAR	
MODEL	
8280	

Marshall

COPYRIGHT EXISTS ON THIS DOCUMENT. IT MUST NOT BE USED FOR ANY PURPOSE THAN THAT FOR WHICH IT IS SUPPLIED AND MUST NOT BE COPIED (IN WHOLE OR IN PART) WITHOUT WRITTEN PERMISSION FROM
 © MARSHALL AMPLIFICATION PLC.
 DENBIGH ROAD, BLETCHLEY, MILTON KEYNES, MK1 1DG.
 TEL (0908)375411 FAX (0908)376118

TITLE	
PRE-AMP CCT	
DWG.No	ISSUE
8280-62-02	8