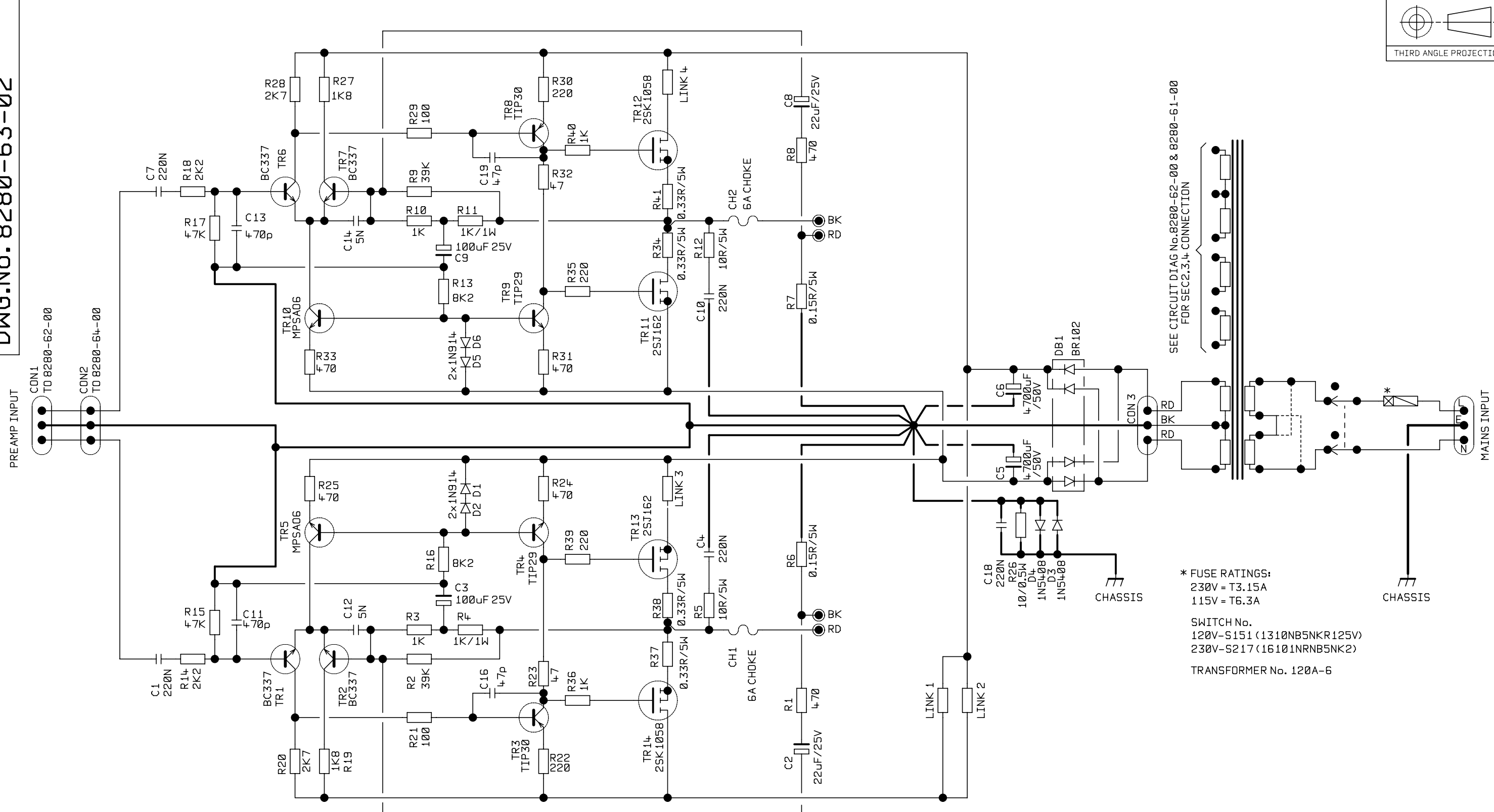
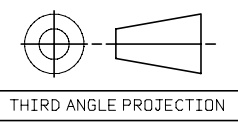


DWG.No. 8280-63-02



SEE CIRCUIT DIAG No. 8280-62-00 & 8280-61-00 FOR SEC2,3,4 CONNECTION

* FUSE RATINGS:
 230V = T3.15A
 115V = T6.3A

SWITCH No.
 120V-S151 (1310NB5NKR125V)
 230V-S217 (16101NRRNB5NK2)

TRANSFORMER No. 120A-6

4	0651	23/08/94	A
3	0457	4/1/94	B
2	0347	12/5/93	C
1	PRODUCTION RELEASE	7-4-93	D
ISS	ECO NUMBER	DATE	E

UNSPECIFIED HOLE DATA	
A	H
B	J
C	K
D	L
E	M
F	N
G	P

MATERIAL	
MATERIAL THICKNESS	
INTERNAL BEND RADIUS	
EXTERNAL B/A	
BEND DIE	
DRAWN	SG
DATE	16-9-92
CHECKED	DATE
APPROVED	DATE

DIMENSIONS IN	
TOLERANCE (UNLESS OTHERWISE STATED)	
DIMENSIONAL	
CENTRES	
ANGULAR	
MODEL	8280

Marshall

COPYRIGHT EXISTS ON THIS DOCUMENT. IT MUST NOT BE USED FOR ANY PURPOSE THAN THAT FOR WHICH IT IS SUPPLIED AND MUST NOT BE COPIED (IN WHOLE OR IN PART) WITHOUT WRITTEN PERMISSION FROM

© MARSHALL AMPLIFICATION PLC.
 DENBIGH ROAD, BLETCHLEY, MILTON KEYNES, MK1 1DQ.
 TEL. (0908)375411 FAX (0908)376118

TITLE	
POWER CCT	
DWG.No	ISSUE
8280-63-02	4