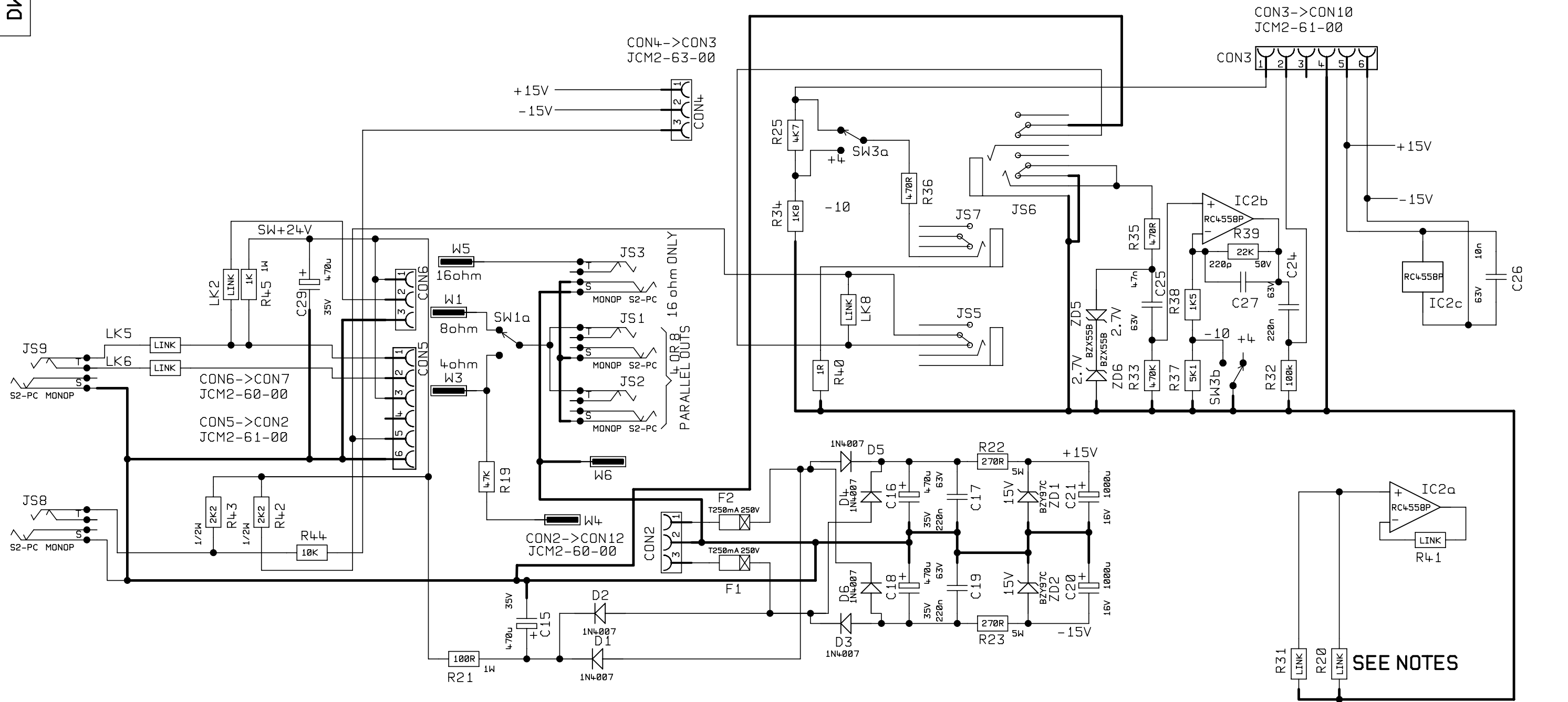


DWG.No. JCM2-62-02.DGM

NOTES

JS5 NOT FITTED
 WIRE LINKS TO BE FITTED:- LK2, LK5, LK6, LK8
 WIRE LINKS TO BE OMMITTED:- LK1, LK3, LK4, LK7
 R20 NOT FITTED



GENERIC PCB JCM2-62-00.ART
 SEE JCM2-69-00.DGM FOR DESIGN SCHEMATIC
 ALL OTHER DESIGNATIONS (EXCEPT REQUIRED LINKS) SHOULD BE UNFILLED

3	1999	29/05/01	ALL OTHER HOLES =				X = (THROUGH PLATED)			
2	1466	1/8/97	A	E	J	N				
1	PRODUCTION	20/6/97	B	F	K	P				
ISS	ECO NUMBER	DATE	C	G	L	Q				
			D	H	M	R				

MATERIAL		DIMENSIONS IN	
MATERIAL THICKNESS		TOLERANCE (UNLESS OTHERWISE STATED)	
DRAWN SG	DATE 25-2-97		
CHECKED	DATE	MODEL	
APPROVED	DATE	DSL100/DSL50	



TITLE	JCM2000
	REAR OUTPUT PCB SCHEMATIC
DWG.No	JCM2-62-02.DGM
ISS	3