

2 EL34

OUTPUT STAGE

- DRSD4
- SA112
- SA115
- SA212

FEEDBACK

- 16Ω
- 8Ω

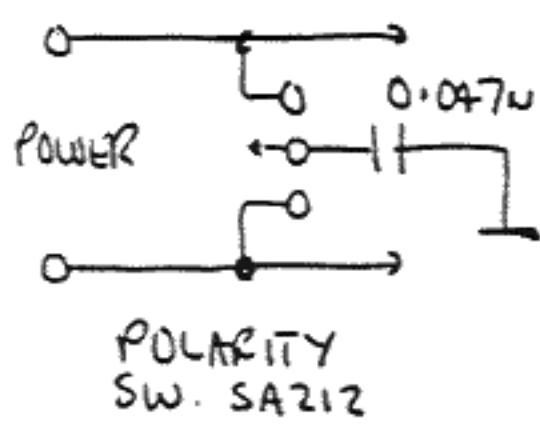
SHORTING JACKS
VIA SELECTOR SWITCH

OUTPUT TRANSFORMER
PARTRIDGE TG6556
TH7551

SA212
SLAVE
OUTPUT
0dbm

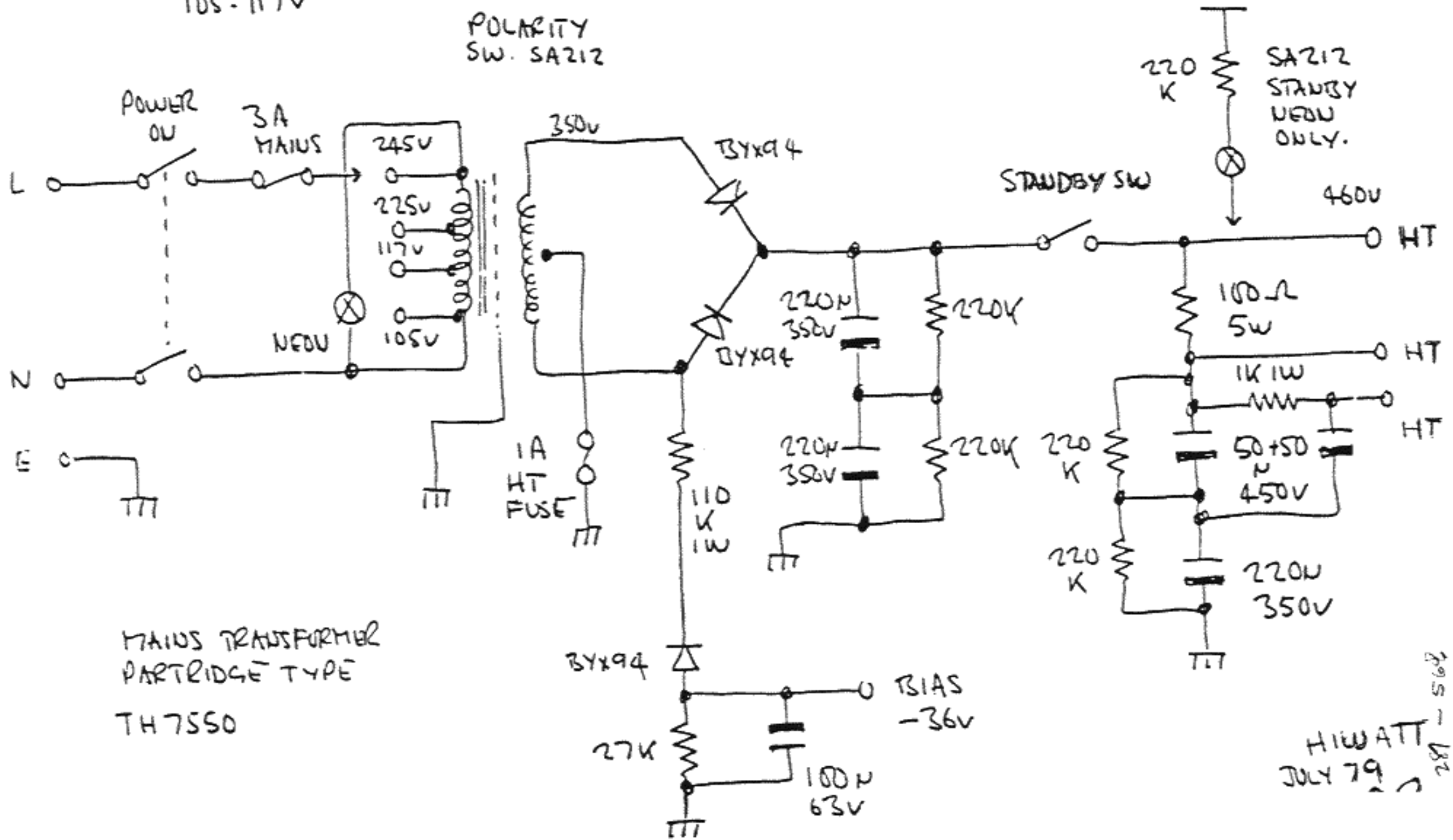
HWATT
JULY 79

FUSE TYPE
SLO-13LO 3A
105-117V



POWER SUPPLY

- DR504
- SA212
- SA112
- SA115



MAINS TRANSFORMER
PARTRIDGE TYPE
TH7550

HIWATT
JULY 79