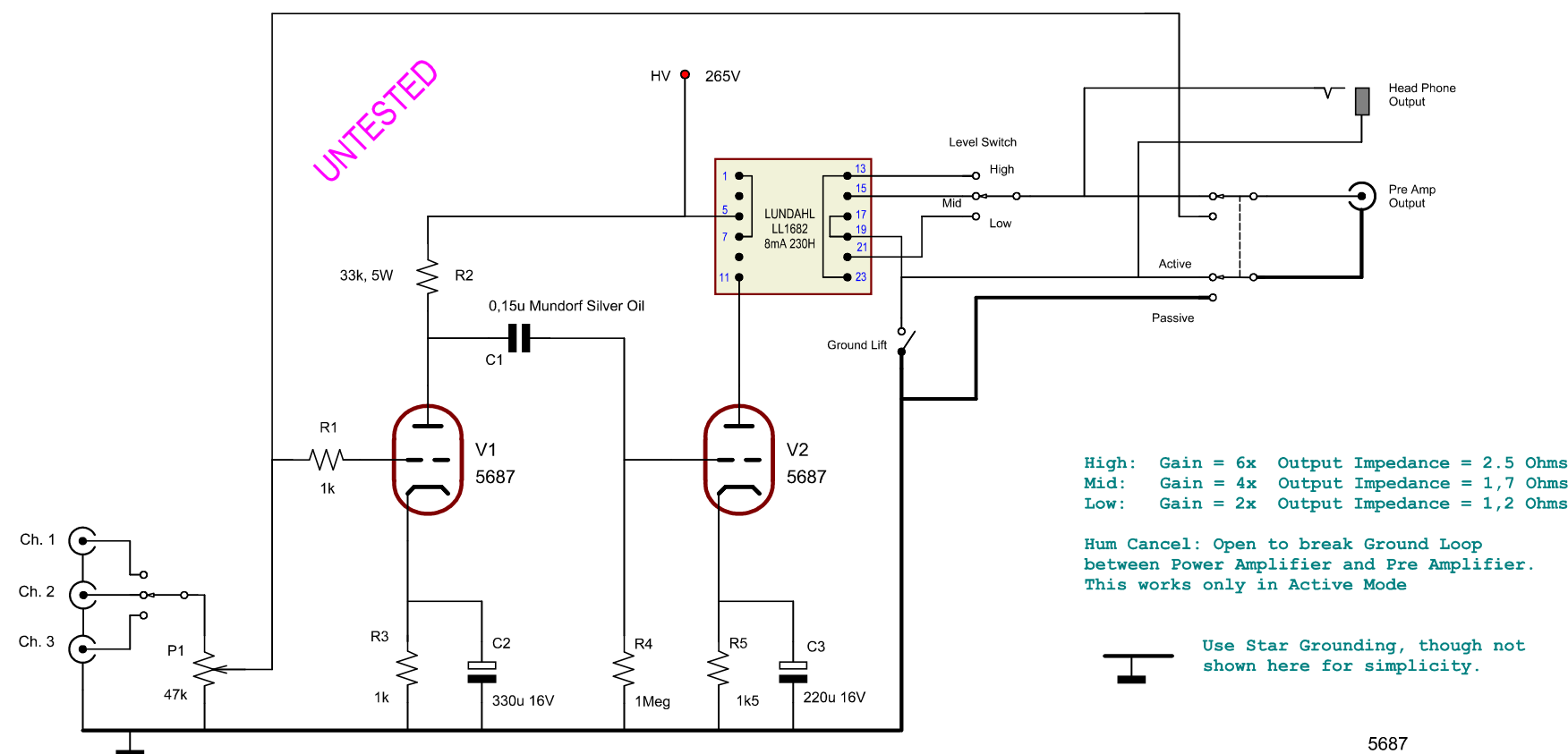


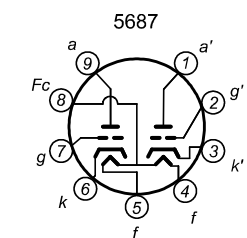
UNTESTED



High: Gain = 6x Output Impedance = 2.5 Ohms
 Mid: Gain = 4x Output Impedance = 1,7 Ohms
 Low: Gain = 2x Output Impedance = 1,2 Ohms

Hum Cancel: Open to break Ground Loop between Power Amplifier and Pre Amplifier. This works only in Active Mode

Use Star Grounding, though not shown here for simplicity.



Attention:
 You may publish this page on a private website, as long as you don't change it
 Any form of commercial use needs our written permission
 JAC Music Company * Horber Steige 25 * Sulz * Germany

Revisions		Date	Name
Date	Name	Drawn	05-Mrz-2013 JW
		Dipl. Ing. Jac van de Walle	

Name: Three Level Pre Amplifier With hum cancellation and Passive Option	
Copyright www.jacmusic.com	Page:
Drawing Nr.:	1 of 2